



UPGRADES AND ACCESSORIES KIT GUIDE **FOR BACKHOE LOADERS – CENTER PIVOT**

MODEL (SERIAL NUMBER PREFIX):

**415 IL (H6L), 415 (H8A), 416 (H8P/L8P/L9P), 420 (H8T/L8T/L9T), 420 XE (H9X),
430 (H8W/L8W), 440 (DC9/MZX), 450 (DYN/KJH)**

**415F2 IL (PF4), 415F2 (HWA), 416F2 (HWB/LYA/LBF), 420F2 (HWC/HWD/LYB/LBS),
430F2 (HWE/HWG/LYD)**

416F (KSF), 420F (SKR), 420F IT (JWJ), 430F (RDF), 430F IT (RGS)

416E (BWC), 420E (PRA), 430E (RLN)



Upgrades/Accessory.....Page Number

COMFORT AND CONVENIENCE 3-4
 Arm Rest..... 3
 Ride Control..... 3
 Studs and Spacer for Snow Chains..... 4

EMISSIONS AND REGULATIONS..... 5
 Rear Window Replacement..... 5

SAFETY AND VISIBILITY 6
 Work Lights, (LED Spot)..... 6
 Work Lights, (LED Wide)..... 6

GUARDING 7-9
 Boom Wear Plate..... 7
 Front Fenders..... 7
 Heat Shield..... 8
 Rear Fender Extensions..... 8
 Stabilizer Cylinder Guards..... 9
 Stabilizer Leg Guards..... 9

PERFORMANCE AND PRODUCTIVITY 10-25
 Autoshift Conversion..... 10
 Auto-Up Stabilizer Control..... 10
 Product Link Adapter (Cat App)..... 11
 Boom Cylinder Check Valves..... 11
 Bucket Cylinder Check Valves..... 12
 Stabilizer Check Valves..... 12
 Stick Cylinder Check Valves..... 13
 Object Handling..... 13
 Dual Tilt Cylinder..... 13
 E-Stick Combined Auxiliary Lines, (Pilot Controlled)..... 14
 E-Stick Combined Auxiliary Lines,
 (Mechanically Controlled)..... 14
 Standard Stick Combined Auxiliary Lines,
 (Mechanically Controlled)..... 15
 Standard Stick Combined Auxiliary Lines,
 (Pilot Controlled)..... 15
 E-Stick External Auxiliary Lines..... 16
 Standard Stick External Auxiliary Lines..... 16
 External Auxiliary Lines..... 17
 Internal Auxiliary Lines..... 17
 Hammer Pedal..... 18
 Hand Throttle..... 18
 Hydraulic Hand Tool Circuit..... 19
 Hydraulic Hoe Coupler Lines, (Extended Stick)..... 20
 Hydraulic Hoe Coupler Lines, (Standard Stick)..... 20
 Hydraulic Hoe Coupler Lines,
 (Mechanical Standard Stick)..... 21
 Hydraulic Hoe Coupler Lines,
 (Mechanical Extended Stick)..... 21
 Hydraulic Hoe Coupler Lines,
 (Pilot Controlled Standard Stick)..... 22
 Hydraulic Hoe Coupler Lines,
 (Pilot Controlled Extended Stick)..... 22

Upgrades/Accessory.....Page Number

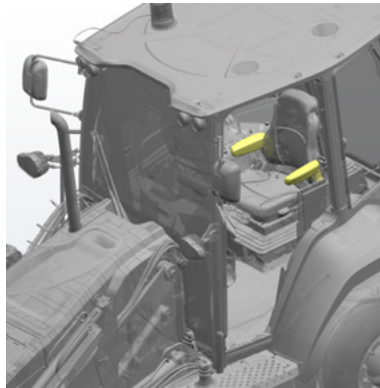
PERFORMANCE AND PRODUCTIVITY (CONTINUED) ... 10-25
 Industrial Loader Power Take-Off, (PTO)..... 23
 Mechanical Hoe Controls, (Backhoe)..... 23
 Mechanical Hoe Controls, (Excavator)..... 24
 Quick Disconnect, (Hoe)..... 24
 Quick Disconnect, (Loader)..... 25
 Single Tilt Loader Coupler..... 25

SECURITY 26-27
 Machine Security System..... 26
 Security Keypad..... 26
 Security Pin-On Display..... 27

COMFORT AND CONVENIENCE

Arm Rest

This kit provides a list of all parts needed to fit two arm rests to a basic mechanical suspension seat.

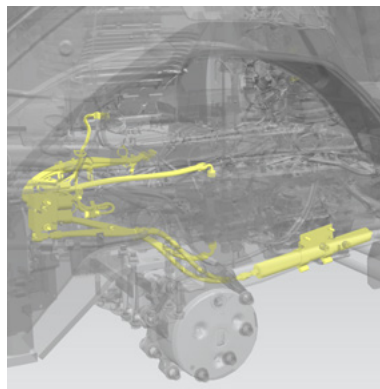


Model	Serial Number Prefix	Part Number	Estimated Install Time
416, 420	L9P, L9T	527-3123*	1.0 Hour
416F2, 420F2	LBF, LBS		

*The part number is for reference only. Please see your Cat Dealer for the complete list of required parts.

Ride Control

Improves ride during travel by providing a suspension system in the loader lift arm circuit. Recommended in applications where improved ride or material retention is desired such as roading or load and carry.



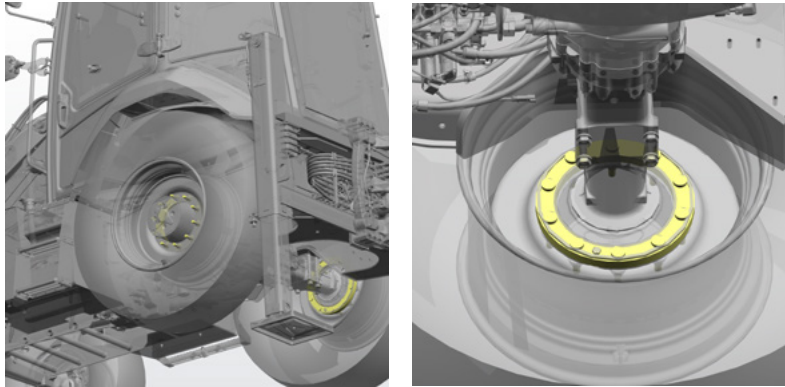
Model	Serial Number Prefix	Part Number	Estimated Install Time
415, 416, 420, 420 XE, 430	H8A, H8P, H8T, L8T, H9X, H8W, L8W	577-8607*	Recommended Dealer Install
415, 416	H8A, H8P, L8P	577-8610**	4.0 Hours

*This kit is for use on Pilot control machines and has software enabled features that must be activated by a Cat dealer.

**This kit is for use on Mechanical control machines.

Studs and Spacer for Snow Chains

Contains longer studs and spacer required to space the wheel away from the machine to fit snow chains.

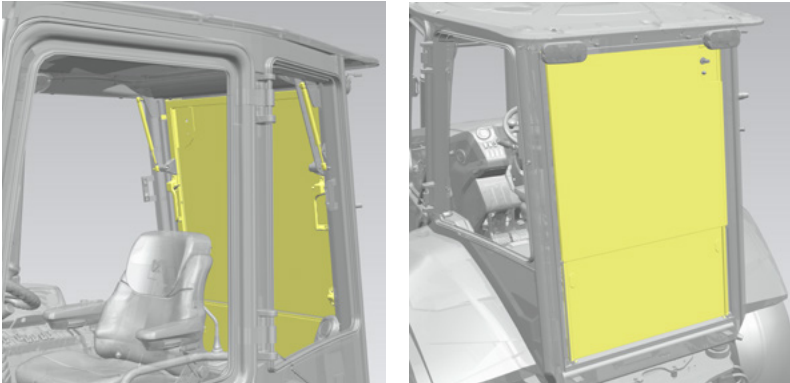


Model	Serial Number Prefix	Part Number	Estimated Install Time
415, 416, 420, 430	H8A, H8P, L8P, L9P, H8T, H9X, L8T, L9T, H8W, L8W	605-5805	1.0 Hour
415 IL	H6L	262-6227	
415F2 IL, 415F2, 416F2, 420F2, 430F2	PF4, HWA, HWB, LYA, HWC, HWD, LYB, HWE, HWG, LYD		
416F, 420F, 420F IT, 430F IT	KSF, SKR, JWJ, RGS		
416E, 420E, 430E	BWC, PRA, RLN		

EMISSIONS AND REGULATIONS

Rear Window Replacement

A replacement rear window for the cab that can be used when a hammer attachment is being operated, to give the operator incremental protection against debris.

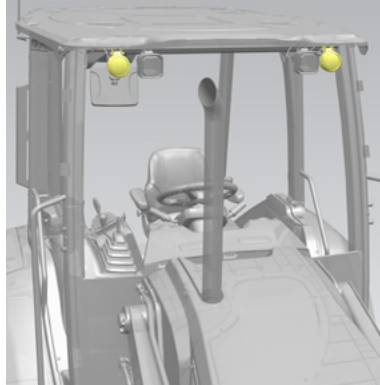


Model	Serial Number Prefix	Part Number	Estimated Install Time
415, 416, 420, 420 XE, 430, 440, 450	H8A, H8P, L8P, H8T, L8T, H9X, H8W, L8W, DYN, MZX, DC9, KJH	575-4253	Recommended Dealer Install

SAFETY AND VISIBILITY

Work lights, (LED Spot)

Kit provides two (2) replacement forward or rear facing cab mounted LED, 1000 lumen, spot work lights. LED lighting provides brighter lighting and longer life.

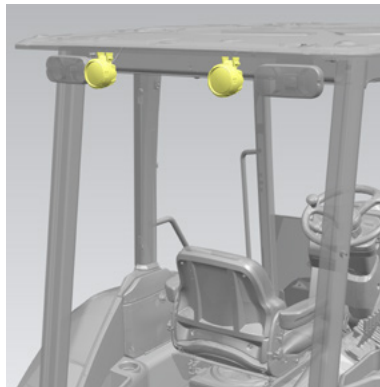


Model	Serial Number Prefix	Part Number	Estimated Install Time
415IL, 415, 416, 420, 420 XE, 430, 440, 450	H6L, H8A, H8P, L8P, L9P, H8T, L8T, L9T, H9X, H8W, L8W, DC9, MZX, DYN, KJH	523-0146*	1.0 Hour
415F2, 416F2, 420F2, 430F2	HWA, HWB, LYA, LBF, HWC, HWD, LYB, LBS, HWE, LYD		

*The part number is for reference only. Please see your Cat Dealer for the complete list of required parts.

Work lights, (LED Wide)

Kit provides two (2) replacement forward or rear facing cab mounted LED, 1000 lumen, wide work lights. LED lighting provides brighter lighting and longer life.



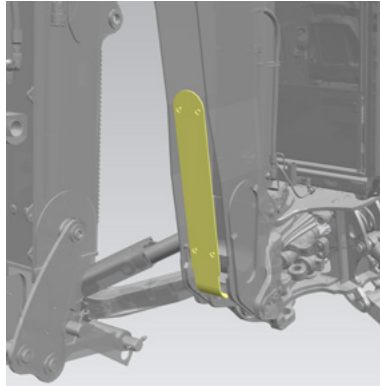
Model	Serial Number Prefix	Part Number	Estimated Install Time
415IL, 415, 416, 420, 420 XE, 430, 440, 450	H6L, H8A, H8P, L8P, L9P, H8T, L8T, L9T, H9X, H8W, L8W, DC9, MZX, DYN, KJH	497-5482*	1.0 Hour
415F2, 416F2, 420F2, 430F2	HWA, HWB, LYA, LBF, HWC, HWD, LYB, LBS, HWE, LYD		

*The part number is for reference only. Please see your Cat Dealer for the complete list of required parts.

GUARDING

Boom Wear Plate

Provides an additional wear plate that can be bolted to the bottom of the boom assembly.



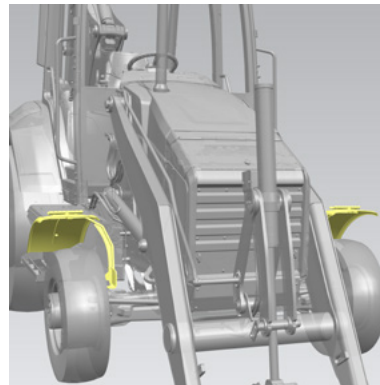
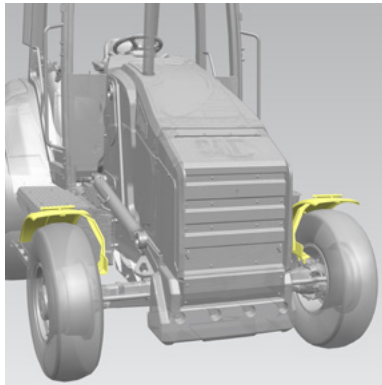
Model	Serial Number Prefix	Part Number	Estimated Install Time
440	DC9, MZX	551-4410	0.5 Hour

Front Fenders

Provides a set of two non-metallic front fenders to add to a machine without existing fenders.

387-6472

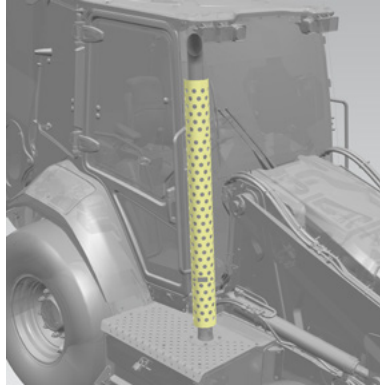
589-8064



Model	Serial Number Prefix	Part Number	Estimated Install Time
415 IL, 440, 450	H6L, DC9, MZX, KJH, DYN	387-6472	1.0 Hour
415F2 IL, 415F2, 416F2, 420F2, 430F2	PF4, HWA, HWB, LYA, LBF, HWC, HWD, LYB, LBS, HWE, LYD		
415, 416, 420, 420 XE, 430	H8A, H8P, L8P, H8T, L8T, H9X, H8W, L8W	586-8064	

Heat Shield

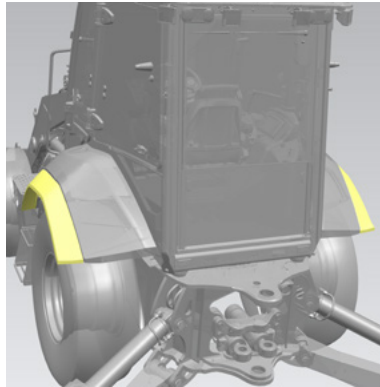
Provides a replacement, stainless steel heatshield to fit around the exhaust stack pipe.



Model	Serial Number Prefix	Part Number	Estimated Install Time
416F2, 420F2, 430F2	HWB, HWC, HWD, HWE, HWG	494-5432	1.0 Hour
416F, 420F IT, 420F, 430F	KSF, JWJ, SKR, RGS, RDF		

Rear Fender Extensions

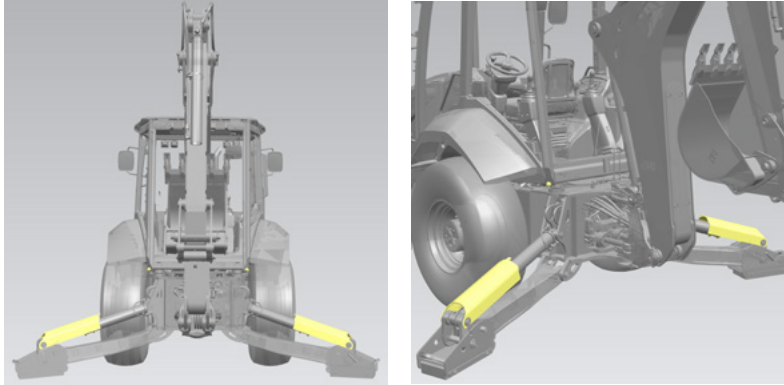
Provides two rear fenders, non-metallic, extensions for additional coverage of wide rear tires.



Model	Serial Number Prefix	Part Number	Estimated Install Time
440, 450	DC9, MZX, DYN, KJH	551-4411	2.0 Hours

Stabilizer Cylinder Guards

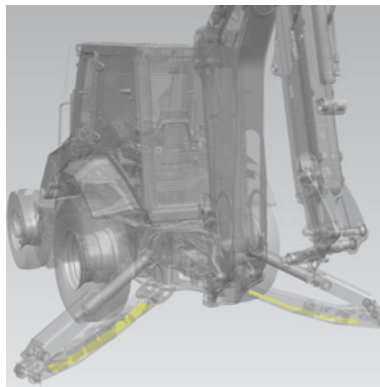
Provides two guarding covers to protect each stabilizer leg cylinder from damage.



Model	Serial Number Prefix	Part Number	Estimated Install Time
415, 416, 420, 420 XE, 430	H8A, H8P, L8P, L9P, H8T, L8T, L9T, H9X, H8W, L8W	387-6458	1.0 Hour
415F2, 416F2, 420F2, 430F2	HWA, HWB, LYA, HWC, HWD, LYB, HWE, LYD		
440	DC9, MZX	551-4409	

Stabilizer Leg Guards

Kit provides plates that can be added to bottom of each stabilizer leg to prevent material from collecting in the leg casting.

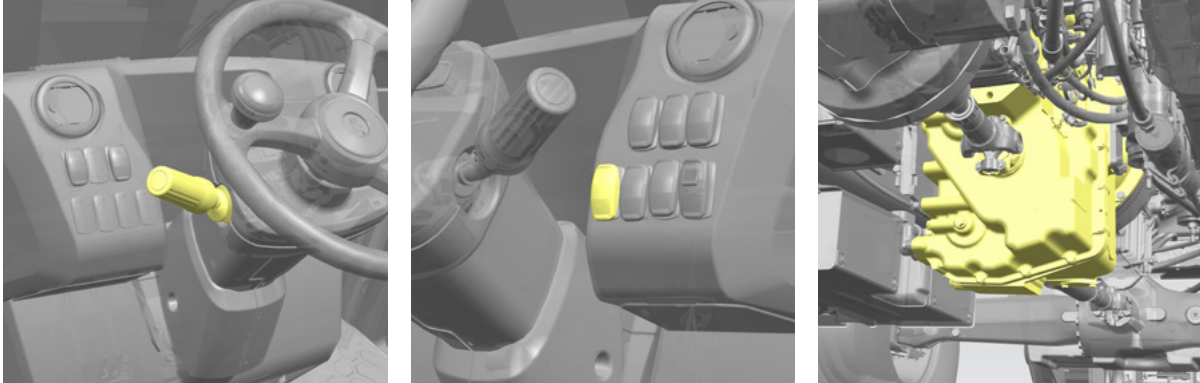


Model	Serial Number Prefix	Part Number	Estimated Install Time
440, 450	DC9, MZX, KJH, DYN	551-4436	1.0 Hour

PERFORMANCE AND PRODUCTIVITY

Autoshift Conversion

Once activated by a Cat dealer, this software enabled kit will allow the customer, to upgrade to the onboard feature to convert from power shift to auto shift transmission.

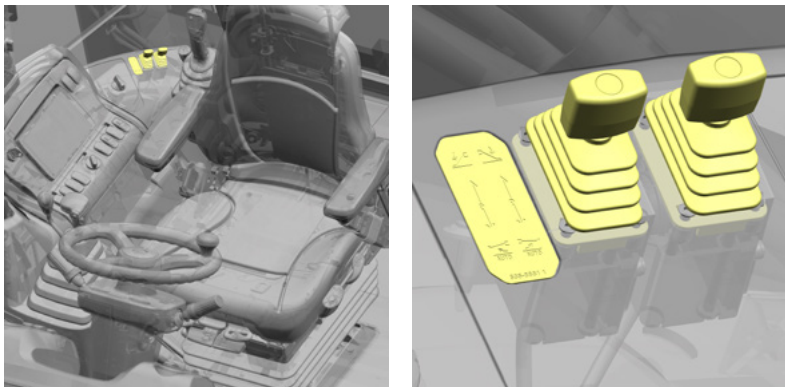


Model	Serial Number Prefix	Part Number	Estimated Install Time
420, 420 XE, 430	H8T, L8T, H9X, H8W, L8W	602-6273*	Recommended Dealer Install

*This kit has software enabled features that must be activated by a Cat dealer. Additional hardware may be required.

Auto-Up Stabilizer Control

A software enabled kit that allows the machine to have the onboard feature to enable the stabilizers to automatically retract. Only for electro-hydraulic controlled stabilizer switches.



Model	Serial Number Prefix	Part Number	Estimated Install Time
415, 416, 420, 430	H8A, H8P, H8T, H9X, L8T, H8W, L8W	602-5655*	0.5 Hour

*Contact your Cat dealer for pricing as well as any additional hardware that may be required. Requires Cat Electronic Technician (ET) to complete installation of this kit.

Product Link Adapter (Cat App)

Adds an adapter allowing the operator to connect the Cat App to the machine product link data.



Model	Serial Number Prefix	Part Number	Estimated Install Time
416F2, 420F2	HWB, HWC, HWD	481-7118*	Recommended Dealer Install

*This kit has software enabled features that must be activated by a Cat dealer. The part number provided is for reference only. Individual parts must be ordered.

Boom Cylinder Check Valves

Load Control Kit will provide a Hose Burst Check Valve (HBCV) for the boom.



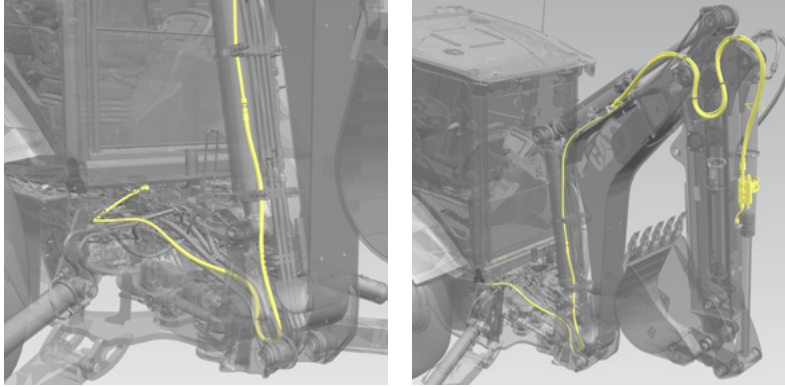
Model	Serial Number Prefix	Part Number	Estimated Install Time
416**, 420, 420 XE	H8P, H8T, L8T, H9X	595-9956*	Recommended Dealer Install
416F2, 420F2	HWB, HWC, HWD, LYB		

*Please contact your Cat dealer and reference media number M0078810 for proper installation instructions.

**For use with Pilot Controlled machines only.

Bucket Cylinder Check Valves

Load Control Kit will provide a Hose Burst Check Valve (HBCV) for the bucket.

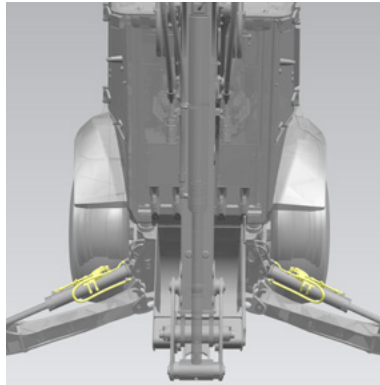


Model	Serial Number Prefix	Part Number	Estimated Install Time
416F2, 420F2	HWB, HWC, HWD, LYB	512-6862*	Recommended Dealer Install

*Please contact your Cat dealer and reference media number M0078810 for proper installation instructions.

Stabilizer Check Valves

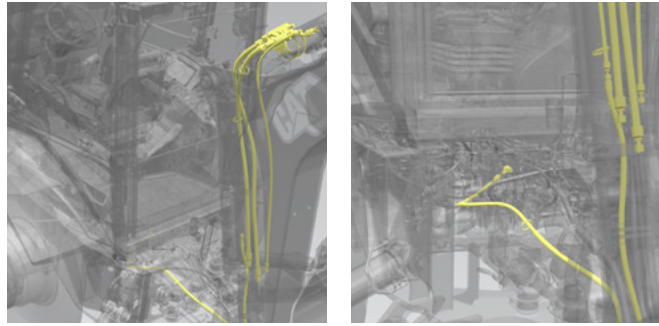
Load Control kit includes a hose burst check valve (HBCV) for the stabilizers.



Model	Serial Number Prefix	Part Number	Estimated Install Time
416, 420, 420 XE	H8P, H8T, L8T, H9X	512-5597	Recommended Dealer Install
416F2, 420F2	HWB, HWC, HWD, LYB		

Stick Cylinder Check Valves

Load Control kit will provide a hose burst check valve (HBCV) for the stick.



Model	Serial Number Prefix	Part Number	Estimated Install Time
416F2, 420F2	HWB, HWC, HWD, LYB	512-6863	Recommended Dealer Install

Object Handling

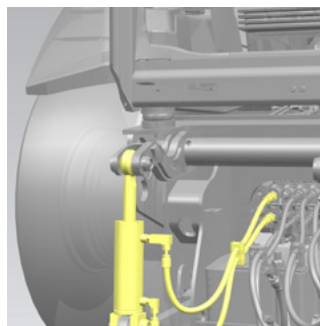
Load Control kit for hoe includes the following object handling kits: Hose burst check valves for boom, stick, bucket and stabilizer cylinders.



Model	Serial Number Prefix	Part Number	Estimated Install Time
416F2, 420F2	HWB, HWC, HWD, LYB	511-9785	Recommended Dealer Install

Dual Tilt Cylinder

Provides an additional cylinder to enable the Industrial Loader 3 Point Hitch to be operated with two independent dual tilt cylinders. Includes hoses and adapters.

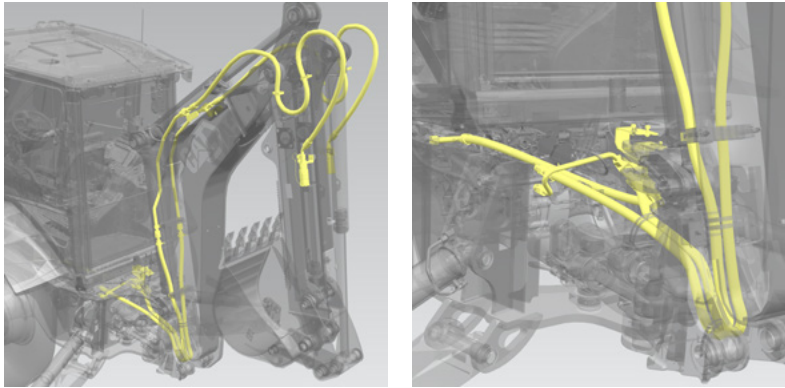


Model	Serial Number Prefix	Part Number	Estimated Install Time
415 IL	H6L	470-5247	2.0 Hours
415F2 IL	PF4		

E-Stick Combined Auxiliary Lines, (Pilot Controlled)

Provides diverter valve and hydraulic 19 mm (3/4") lines routed to midpoint of stick for use with one-way or two-way flow work tools. Includes hydraulic quick disconnect couplings. This kit can be used to build one-way (hammer) lines.

For use with Extended Stick, 6 function hydraulics.

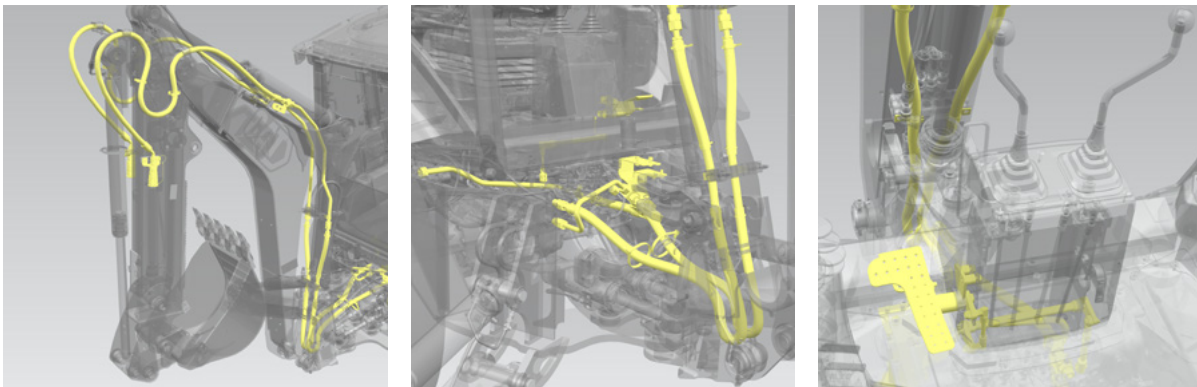


Model	Serial Number Prefix	Part Number	Estimated Install Time
415, 416, 420, 420 XE	H8A, H8P, L8P, H8T, L8T, H9X	577-8617*	Recommended Dealer Install
430	H8W, L8W	577-8619*	
415F2, 416F2, 420F2	HWA, HWB, HWC, LYB, LBS	468-7981*	
430E	RLN	360-2206*	

*This kit has software enabled features that must be activated by a Cat dealer.

E-Stick Combined Auxiliary Lines, (Mechanically Controlled)

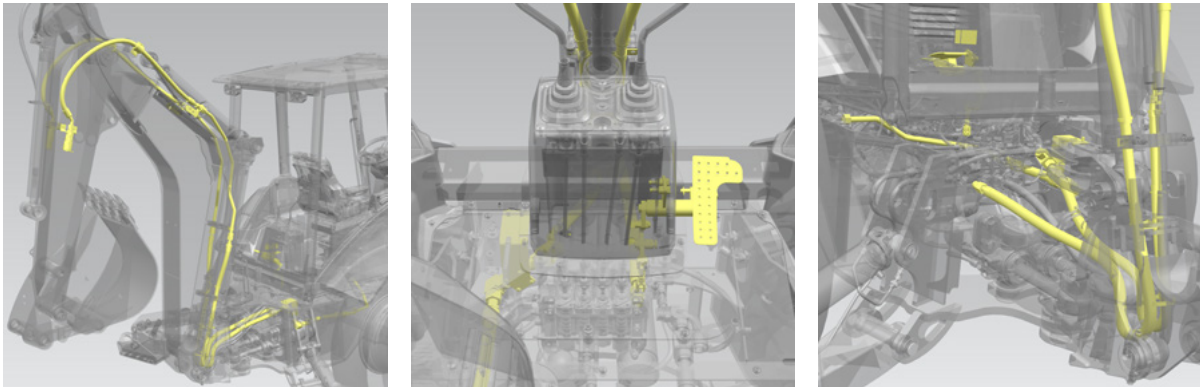
Provides mechanical foot pedal and linkage to diverter valve with hydraulic 19 mm (3/4") lines routed to mid-point of stick for use with one-way or two-way flow work tools. Includes hydraulic quick disconnect couplings. This kit can be used to build one-way (hammer) lines.



Model	Serial Number Prefix	Part Number	Estimated Install Time
415, 416	H8A, H8P, L8P	577-8611	Recommended Dealer Install
415F2, 416F2	HWA, HWB, LYA, LBF	468-7979	

Standard Stick Combined Auxiliary Lines, (Mechanically Controlled)

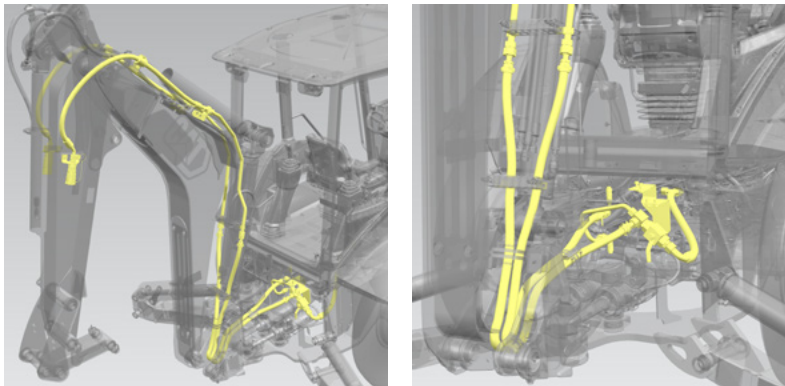
Provides mechanical foot pedal and linkage to diverter valve with hydraulic 19 mm (3/4") lines routed to midpoint of stick for use with one-way or two-way flow work tools. Includes hydraulic quick disconnect couplings. This kit can be used to build one-way (hammer) lines.



Model	Serial Number Prefix	Part Number	Estimated Install Time
415, 416	H8A, H8P, L8P	577-8612	Recommended Dealer Install
415F2, 416F2	HWA, HWB, LYA, LBF	468-7980	

Standard Stick Combined Auxiliary Lines, (Pilot Controlled)

Provides diverter valve and hydraulic 19 mm (3/4") lines routed to midpoint of stick for use with one-way or two-way flow work tools. Includes hydraulic quick disconnect couplings. This kit can be used to build one-way (hammer) lines.

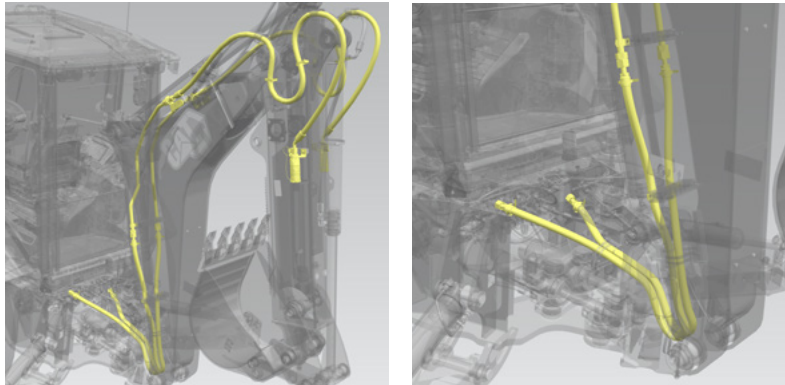


Model	Serial Number Prefix	Part Number	Estimated Install Time
415, 416, 420, 420 XE	H8A, H8P, L8P, H8T, L8T, H9X	577-8616	Recommended Dealer Install
430	H8W, L8W	577-8618	
415F2, 416F2, 420F2	HWA, HWB, HWC, LYB, LBS	468-7982	

*This kit has software enabled features that must be activated by a Cat dealer.

E-Stick External Auxiliary Lines

Provides the auxiliary lines for the hoe for one half of the lines required to operate hydraulic hoe work tools. For use with extended stick configured machines.

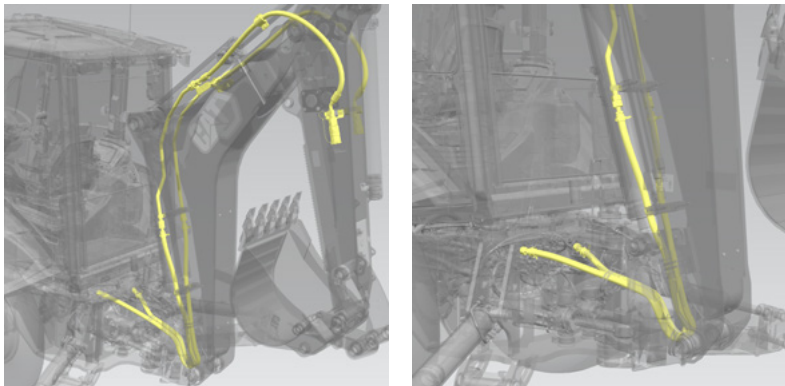


Model	Serial Number Prefix	Part Number	Estimated Install Time
420, 420 XE	H8T, H9X	585-7964*	Recommended Dealer Install

*Machine must already have internal auxiliary lines installed prior to installing this kit.

Standard Stick External Auxiliary Lines

Provides the auxiliary lines for the hoe for one half of the lines required to operate hydraulic hoe work tools. For use with standard stick configuration.

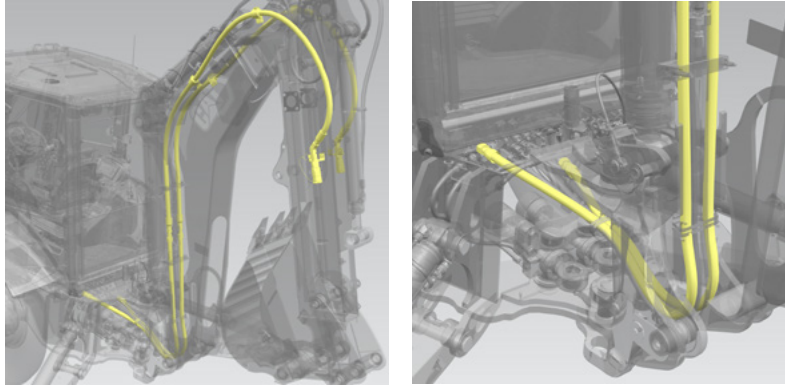


Model	Serial Number Prefix	Part Number	Estimated Install Time
420, 420 XE	H8T, H9X	585-7963	Recommended Dealer Install

*Machine must already have internal auxiliary lines installed prior to installing this kit.

External Auxiliary Lines

Provides the auxiliary lines for the hoe for one half of the lines required to operate hydraulic hoe work tools.



Model	Serial Number Prefix	Part Number	Estimated Install Time
440, 450	DC9, MZX, DYN, KJH	550-4092*	Recommended Dealer Install
440, 450	MZX, DYN	587-1692**	

*Hose material not included. Contact your Cat dealer and reference Special Instructions M0098457 to have hoses created using the supplied couplings. Machine must already have internal auxiliary lines installed prior to installing this kit.

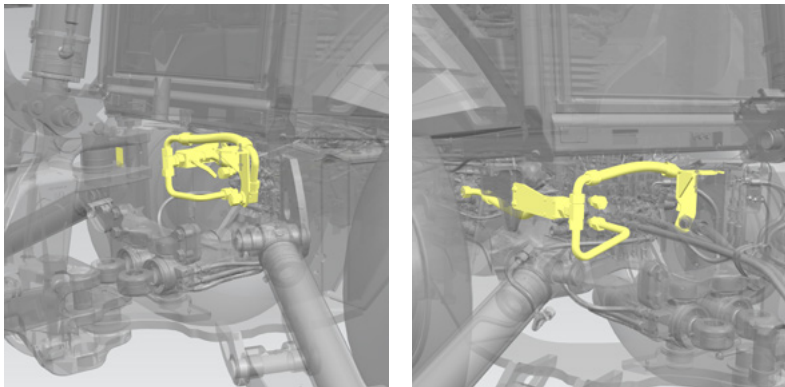
**Hose material not included. Contact your Cat dealer to have hoses created using the supplied couplings. Machine must already have internal auxiliary lines installed prior to installing this kit.

Internal Auxiliary Lines

Provides the internal lines only for allowing the external lines to be fitted to use the auxiliary hydraulic hoe work tools.

550-4175

587-1691

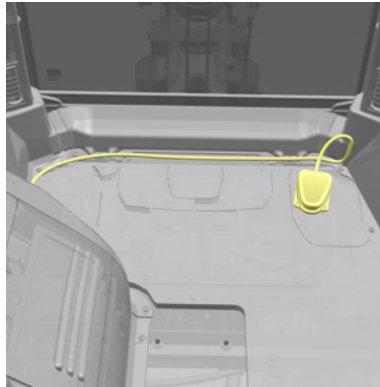


Model	Serial Number Prefix	Part Number	Estimated Install Time
440, 450	DC9, MZX, DYN, KJH	550-4175*	Recommended Dealer Install
440, 450	MZX, DYN	587-1691*	

*Machine must already have external auxiliary lines installed prior to installing this kit.

Hammer Pedal

Provides the foot operated electronic pedal switch for the continual operation of a hammer work tool fitted to the stick of the machine.



Model	Serial Number Prefix	Part Number	Estimated Install Time
415**, 416**, 420, 420 XE, 430, 440, 450	H8A, H8P, H8T, L8T, H9X, H8W, L8W, DC9, MZX, DYN, KJH	551-4408*	1.0 Hour

*This kit has software enabled features that must be activated by a Cat dealer.

**For use with Pilot Controlled machines.

Hand Throttle

Provides a rotary throttle control dial and harness to enable the Industrial Loader to set the engine speed by the dial.

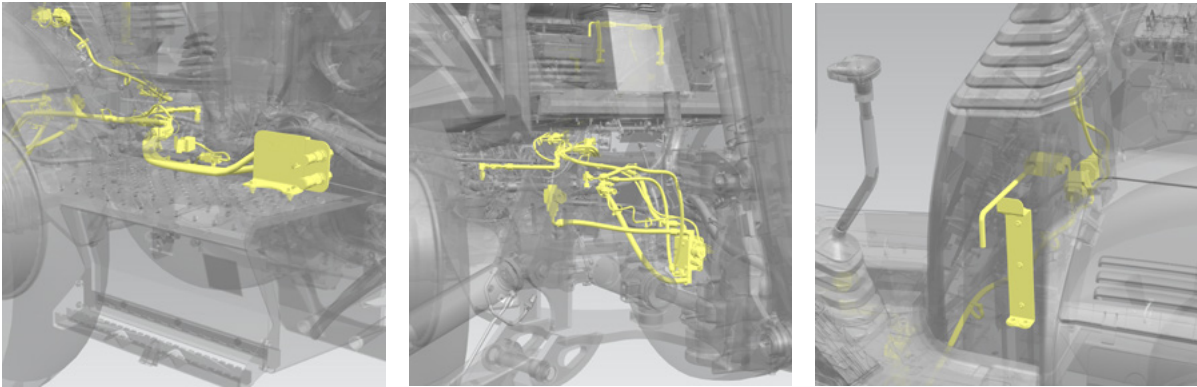


Model	Serial Number Prefix	Part Number	Estimated Install Time
415 IL	H6L	560-0641*	Recommended Dealer Install
415F2 IL	PF4		

*This kit has software enabled features that must be activated by a Cat dealer.

Hydraulic Hand Tool Circuit

This kit provides an auxiliary hand tool circuit to operate Type II single flow hydraulics hand tool circuit via flat face quick connects located on the top of the tread plate of the tool box on the right side of the machine.

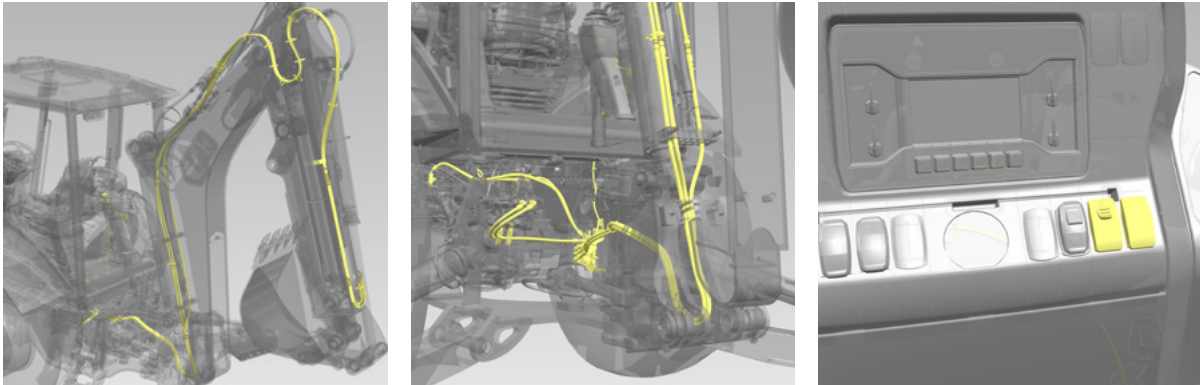


Model	Serial Number Prefix	Part Number	Estimated Install Time
415F2, 416F2, 420F2, 430F2	HWA, HWB, LYA, HWC, LYB, HWD, HWE, LYD	577-7083*	Recommended Dealer Install

*This kit has software enabled features that must be activated by a Cat dealer. The part number is for reference only. Please see your Cat Dealer for the complete list of required parts.

Hydraulic Hoe Coupler Lines, (Extended Stick)

Provides hydraulic hoe coupler lines for extended stick to enable the hydraulic hoe coupler to be operated on the machine from the cab switches provided.

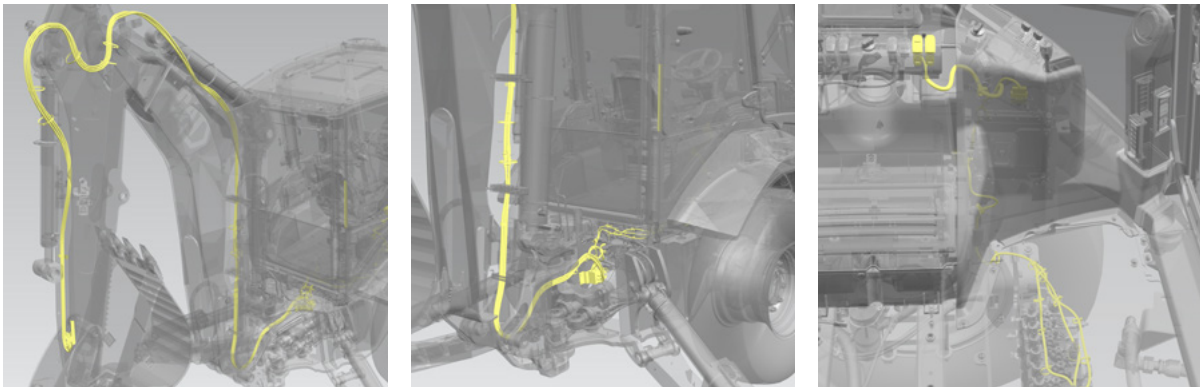


Model	Serial Number Prefix	Part Number	Estimated Install Time
430	H8W	577-8613*	Recommended Dealer Install
440	DC9, MZX	550-4090*	
450	KJH, DYN	550-4091*	
416E, 420E, 430E	BWC, PRA, RLN	368-1267*	

*This kit has software enabled features that must be activated by a Cat dealer.

Hydraulic Hoe Coupler Lines, (Standard Stick)

Provides hydraulic hoe coupler lines for standard stick to enable the hydraulic hoe coupler to be operated on the machine from the cab switches provided.

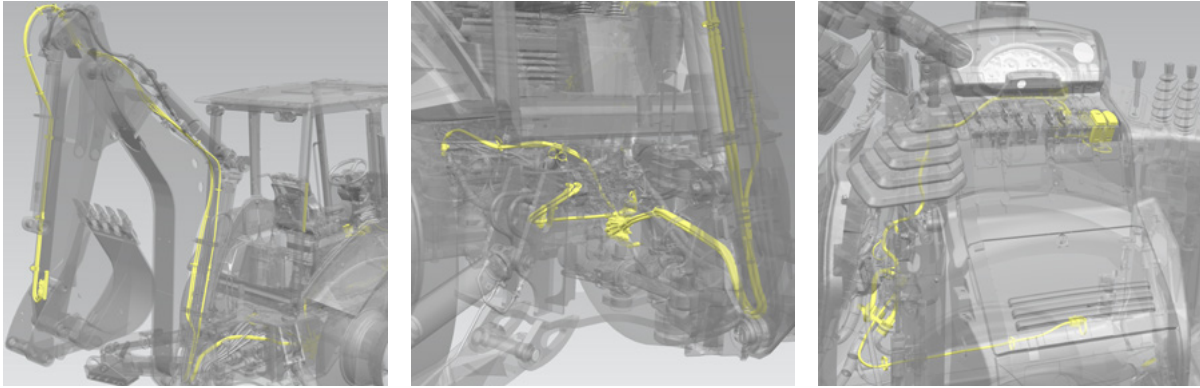


Model	Serial Number Prefix	Part Number	Estimated Install Time
440, 450	DC9, MZX, DYN, KJH	550-4089*	Recommended Dealer Install

*This kit has software enabled features that must be activated by a Cat dealer.

Hydraulic Hoe Coupler Lines, (Mechanical Standard Stick)

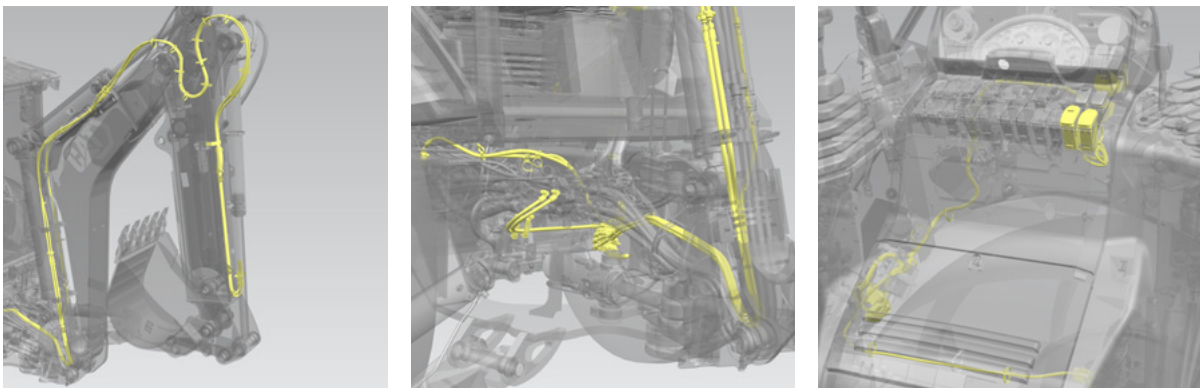
Provides hydraulic hoe coupler lines for mechanical controlled extended stick to enable the hydraulic hoe coupler to be operated on the machine from the cab switches provided.



Model	Serial Number Prefix	Part Number	Estimated Install Time
415, 416	H8A, H8P, L8P	579-6456	Recommended Dealer Install

Hydraulic Hoe Coupler Lines, (Mechanical Extended Stick)

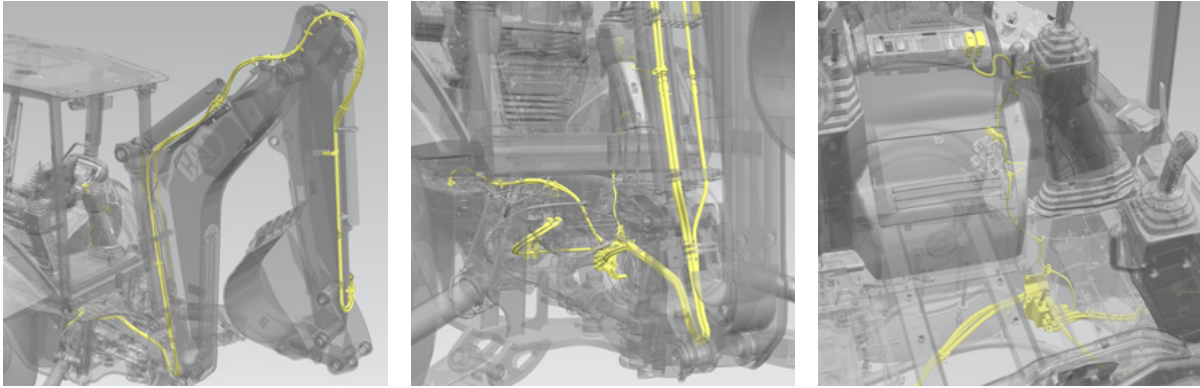
Provides hydraulic hoe coupler lines for mechanical controlled extended stick to enable the hydraulic hoe coupler to be operated on the machine from the cab switches provided.



Model	Serial Number Prefix	Part Number	Estimated Install Time
415, 416	H8A, H8P, L8P	579-6457	Recommended Dealer Install

Hydraulic Hoe Coupler Lines, (Pilot Controlled Standard Stick)

Provides hydraulic hoe coupler lines for pilot controlled standard stick to enable the hydraulic hoe coupler to be operated on the machine from the cab switches provided.

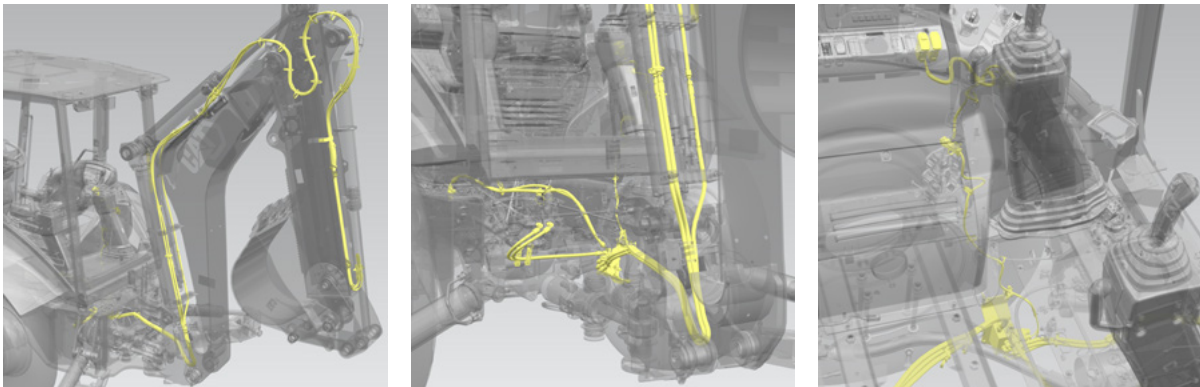


Model	Serial Number Prefix	Part Number	Estimated Install Time
415, 416, 420, 420 XE	H8A, H8P, H8T, L8T, H9X	585-0341*	Recommended Dealer Install

*This kit has software enabled features that must be activated by a Cat dealer.

Hydraulic Hoe Coupler Lines, (Pilot Controlled Extended Stick)

Provides hydraulic hoe coupler lines for pilot controlled extended stick to enable the hydraulic hoe coupler to be operated on the machine from the cab switches provided.

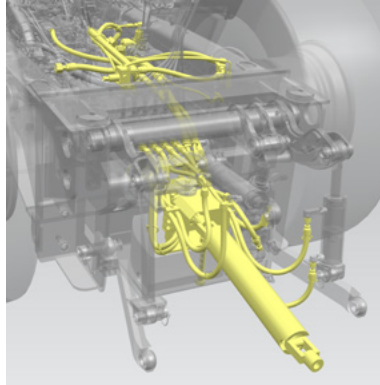


Model	Serial Number Prefix	Part Number	Estimated Install Time
415, 416, 420, 420 XE	H8A, H8P, H8T, L8T, H9X	585-0342*	Recommended Dealer Install

*This kit has software enabled features that must be activated by a Cat dealer.

Industrial Loader Power Take-Off, (PTO)

Provides the complete kit to enable PTO driven work tools that are mounted to the rear of the Industrial Loader.

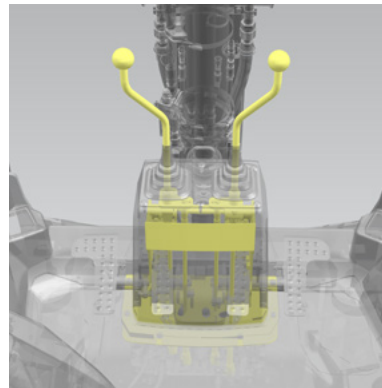


Model	Serial Number Prefix	Part Number	Estimated Install Time
415F2 IL	PF4	572-3103*	Recommended Dealer Install

*This kit has software enabled features that must be activated by a Cat dealer.

Mechanical Hoe Controls, (Backhoe)

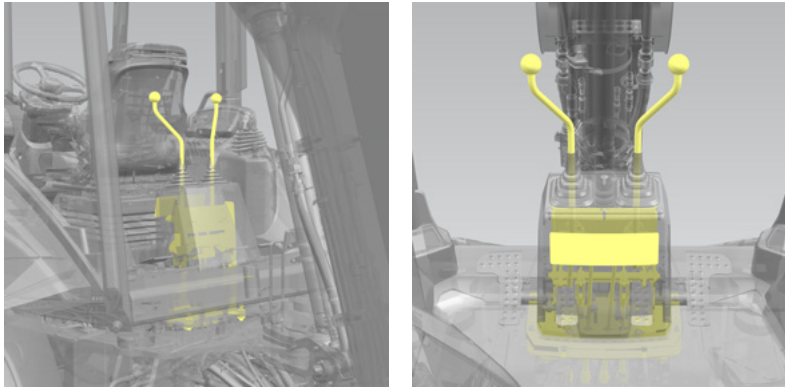
This kit converts controls from excavator (ISO) mechanical hoe control pattern to mechanical hoe backhoe control pattern.



Model	Serial Number Prefix	Part Number	Estimated Install Time
415, 416	H8A, H8P, L8P	579-6458	Recommended Dealer Install
415F2, 416F2	HWA, HWB, LYA, LBF	468-7974	

Mechanical Hoe Controls, (Excavator)

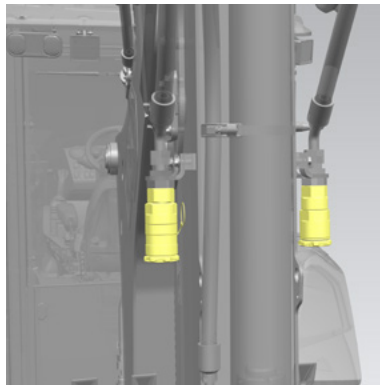
This kit converts controls from backhoe mechanical hoe control pattern to mechanical hoe excavator (ISO) pattern.



Model	Serial Number Prefix	Part Number	Estimated Install Time
415, 416	H8A, H8P, L8P	579-6459	Recommended Dealer Install
415F2, 416F2	HWA, HWB, LYA, LBF	468-7975	

Quick Disconnect, (Hoe)

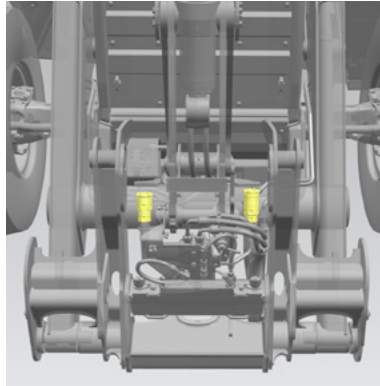
Kit includes both male and female twist to connect hydraulic quick disconnect couplings, with protective caps, for use with hoe hydraulic operated work tools.



Model	Serial Number Prefix	Part Number	Estimated Install Time
415, 416, 420, 420 XE, 430	H8A, H8P, L8P, L9P, H8T, L8T, L9T, H9X, H8W, L8W	442-9566	0.5 Hour
415F2, 416F2, 420F2, 430F2	HWA, HWB, LYA, LBF, HWC, HWD, LYB, LBS, HWE, LYD		

Quick Disconnect, (Loader)

Kit includes both male and female twist to connect hydraulic quick disconnect couplings, with protective caps, for use with loader hydraulic operated work tools.

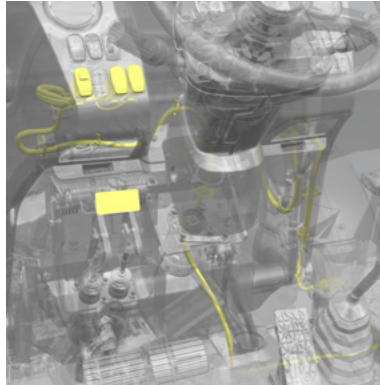
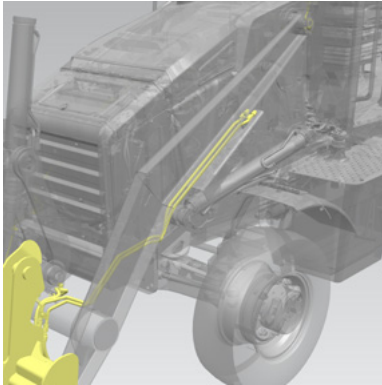


Model	Serial Number Prefix	Part Number	Estimated Install Time
416, 420, 420 XE, 430	H8P, H8T, H9X, H8W	455-7380	0.5 Hour
420F2	HWD		

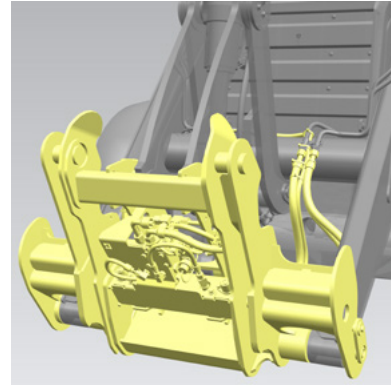
Single Tilt Loader Coupler

Provides an electro-hydraulic coupler actuation system activated from the cab. Includes constant pressure coupler pins. Single tilt fit for Cat IT design coupler to mount hook on work tools.

596-8446



539-6387



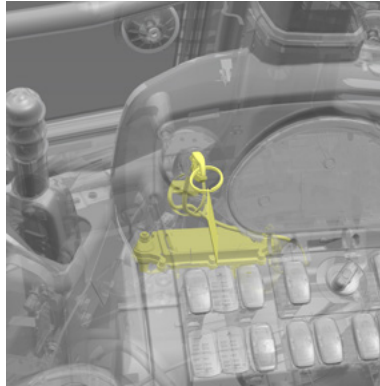
Model	Serial Number Prefix	Part Number	Estimated Install Time
415, 416, 420, 420 XE, 430	H8A, H8P, L8P, H8T, L8T, H9X, H8W, L8W	596-8446*	Recommended Dealer Install
440, 450	DC9, MZX, DYN, KJH	539-6387*	

*This kit has software enabled features that must be activated by a Cat dealer.

SECURITY

Machine Security System (MSS)

Kit provides a programmable system to manage access to machine. Includes two special MSS keys.



Model	Serial Number Prefix	Part Number	Estimated Install Time
420F, 430F	SKR, RDF	331-5640*	Recommended Dealer Install

*This kit has software enabled features that must be activated by a Cat dealer.

Security Keypad

Provides a kit to add a keypad unit, self-contained immobilizer system to disable the engine, transmission and other systems at key switch on until a valid pass code is entered on the keypad which unlocks the machine to enable operation.



Model	Serial Number Prefix	Part Number	Estimated Install Time
416, 420, 430	L8P, L9P, L8T, L9T, L8W	482-1308*	Recommended Dealer Install
415F2, 416F2, 420F2, 430F2	HWA, HWB, LYA, LBF, HWC, HWD, LYB, LBS, HWE, LYD		

*This kit has software enabled features that must be activated by a Cat dealer.

Security Pin-On Display

Once activated by a Cat dealer, this software enabled kit, will allow the customer to upgrade the onboard feature to keypad security on the display.



Model	Serial Number Prefix	Part Number	Estimated Install Time
415, 416, 420, 420 XE, 430	H8A, H8P, H8T, H9X, H8W	602-6201*	Recommended Dealer Install

*This kit has software enabled features that must be activated by a Cat dealer. Additional hardware may be required.

AEXQ3127-02
Replaces AEXQ3127-01
May 2022
(Global)

© 2022 Caterpillar. All Rights Reserved. CAT, CATERPILLAR, LET'S DO THE WORK, their respective logos, "Caterpillar Corporate Yellow," the "Power Edge" and Cat "Modern Hex" trade dress as well as corporate and product identity used herein, are trademarks of Caterpillar and may not be used without permission.

