



OPTIONS AND ACCESSORIES KIT GUIDE FOR MINI HYDRAULIC EXCAVATORS

MINI HYDRAULIC EXCAVATORS MODELS: 301.5, 301.6, 301.7 CR, 301.8, 302 CR, 302.7 CR, 303 CR, 303.5 CR, 304, 305 CR, 306, 306 CR, 306.5, 307.5, 308 CR, 308 SR, 308.5, 309 CR, 310

SERIAL NUMBER PREFIXES: MNH, MY6, JH7, H8X, RHM, CZ6, 3C3, NXY, MY3, RE9, CE9, R2E, AN4, 5G5, 5X5, GW5, 6W6, 6G6, GW6, GW7, GW8, GG8, GX8, GK8, GZ8, GW9, GG9, GWT



Option/Accessory Page Number

COMFORT AND CONVENIENCE 3-5

Radio, Bluetooth® 3
 Radio, Premium 4
 Rain Visor 4
 Rearview Mirrors 5
 Travel Mirror 5

GUARDING 6-10

Cab Guard, Full 6
 Canopy Guard, Full 6
 Canopy Guard, Half 7
 Front Guard, Heavy Duty 7
 Front Guard, Mesh 8
 Overhead Cab Guard 8
 Polycarbonate Window 9
 Radiator Screen Guard 9
 Track Guiding, Center Guard 10

MAINTENANCE AND IMPROVEMENT 11

Fuel Tank Drain 11
 Grease Gun Holder 11

PERFORMANCE AND PRODUCTIVITY 12-28

Boom Lowering Control Valve 12
 Stick Lowering Control Valve 13
 Case Drain 14
 Extra Counterweight 14
 Coupler Control Kit – Long Stick, Cat® Coupler 16
 Coupler Control Kit – Long Stick, CW Coupler 16
 Hydraulic Coupler Lines Kit – Long Stick 18
 Hydraulic Coupler Lines Kit – Standard Stick 19
 Hydraulic Coupler Lines Kit –
 Standard and Long Stick 20
 Mulching Toolkit 20
 Second Auxiliary Control 21
 Second Auxiliary Hydraulic Lines Kit – Long Stick 22
 Second Auxiliary Hydraulic Lines Kit –
 Standard Stick 24
 Second Auxiliary Hydraulic Lines Kit –
 Standard and Long Stick 26
 Third Auxiliary Function 26
 Screw to Connect Quick Disconnects 27
 Product Link™, PLE643 27
 Water Jacket Heater – 120V 28
 Water Jacket Heater – 240V 28

Option/Accessory Page Number

SECURITY 29

Push to Start Security 29

SAFETY AND VISIBILITY 30-39

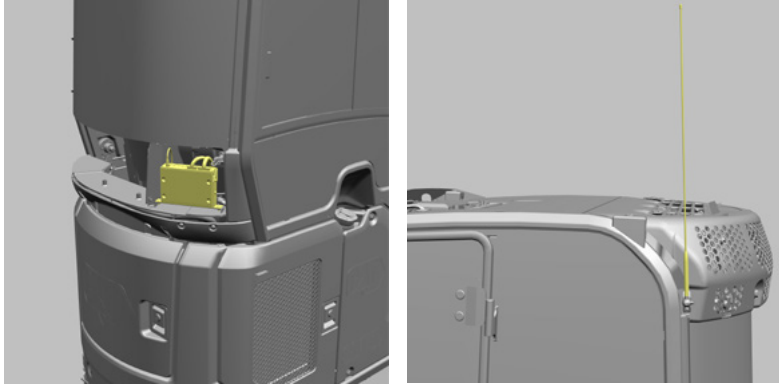
LED Lights 30
 LED Lights – Front and Rear 31
 Rear Lights 32
 Advanced Display 33
 Rear View Camera 34
 Rear View Camera, Canopy 36
 Seatbelt Reminder Alarm 36
 Travel Alarm 37

Estimated install times noted throughout the guide are an approximation and may vary depending on skill level.

COMFORT AND CONVENIENCE

Radio, Bluetooth®

Radio Kit includes Bluetooth, USB, auxiliary, and microphone ports.



Model	Serial Number Prefix	Part Number	Estimated Install Time
302.7 CR, 303 CR, 303.5 CR	CZ6, 3C3, NXY, MY3, RE9, CE9, R2E	609-9307*	Recommended Dealer Install

*Requires Cat Electronic Technician (ET) to complete installation of this kit.

Digital Band Radio (DAB) Kit includes Bluetooth, USB, auxiliary, and microphone ports for Digital Audio Band supported regions only.

Model	Serial Number Prefix	Part Number	Estimated Install Time
302.7 CR, 303 CR, 303.5 CR	CZ6, 3C3, NXY, MY3, RE9, CE9, R2E	609-9306*	Recommended Dealer Install

*Requires Cat Electronic Technician (ET) to complete installation of this kit.

Radio, Premium

Includes all required components to add a Digital Audio Band (DAB) if service is supported to cab units or to convert from a standard DIN radio to a DAB.



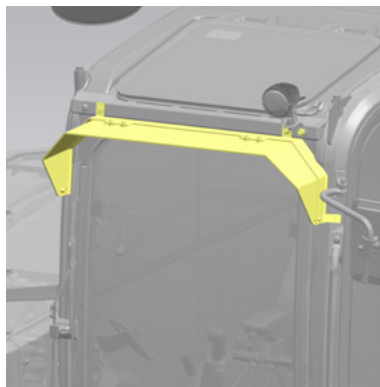
Model	Serial Number Prefix	Part Number	Estimated Install Time
306, 306 CR, 306.5, 307.5, 308 CR, 308 SR, 308.5, 309 CR, 310	GW5, 6W6, 6G6, GW6, GW7, GW8, GG8, GX8, GK8, GZ8, GW9, GG9, GWT	561-8099*	2.0 Hours
304**, 305 CR**	AN4, 5G5, 5X5		

*For regions that only support DAB audio bands.

**Must also order part number 594-6288 to complete installation of this radio.

Rain Visor

Protective rain visor on top of cab front window.



Model	Serial Number Prefix	Part Number	Estimated Install Time
306, 306 CR, 306.5, 307.5, 308 CR, 308 SR, 308.5, 309 CR, 310	GW5, 6W6, 6G6, GW6, GW7, GW8, GG8, GX8, GK8, GZ8, GW9, GG9, GWT	561-8103	0.5 Hour
304, 305 CR	AN4, 5G5, 5X5	607-0345	

Rearview Mirrors

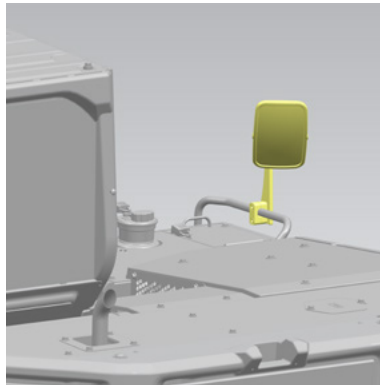
Provides left and right rearview mirrors, including hardware.



Model	Serial Number Prefix	Part Number	Estimated Install Time
302.7 CR, 303 CR, 303.5 CR	CZ6, 3C3, NXY, MY3, RE9, CE9, R2E	609-9305	0.5 Hour

Travel Mirror

Added to right side of the machine for additional visibility.



Model	Serial Number Prefix	Part Number	Estimated Install Time
306, 306 CR, 306.5, 307.5, 308 CR, 308 SR, 308.5, 309 CR, 310	GW5, 6W6, 6G6, GW6, GW7, GW8, GG8, GX8, GK8, GZ8, GW9, GG9, GWT	561-8204	0.5 Hour

GUARDING

Cab Guard, Full

Provides front cab, full polycarbonate guard. Meets EN 356 P5A window protection and ISO 10262 Level 1 guard requirement.



Model	Serial Number Prefix	Part Number	Estimated Install Time
302.7 CR, 303 CR, 303.5 CR	CZ6, 3C3, NXY, MY3, RE9, CE9, R2E	609-9302	1.25 Hours

Canopy Guard, Full

Provides front canopy, full polycarbonate guard. Meets EN 356 P5A window protection and ISO 10262 Level 1 guard requirement.



Model	Serial Number Prefix	Part Number	Estimated Install Time
302.7 CR, 303 CR, 303.5 CR	CZ6, 3C3, NXY, MY3, RE9, CE9, R2E	609-9303	1.25 Hours

Canopy Guard, Half

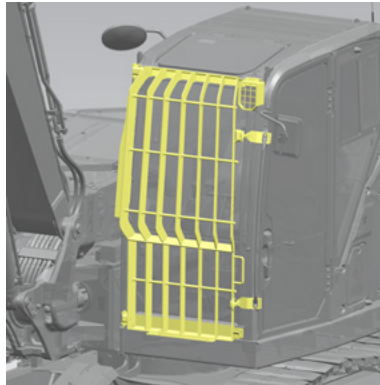
Provides front upper half polycarbonate guard (not certified).



Model	Serial Number Prefix	Part Number	Estimated Install Time
302.7 CR, 303 CR, 303.5 CR	CZ6, 3C3, NXY, MY3, RE9, CE9, R2E	609-9301	1.25 Hours

Front Guard, Heavy Duty

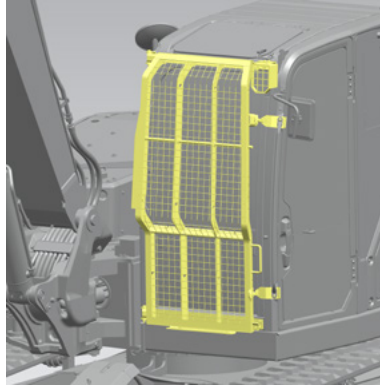
Hinged heavy duty front guarding offered for easy access to the windows for cleaning. This guard has been certified to meet ISO 10262 Level 2 requirements.



Model	Serial Number Prefix	Part Number	Estimated Install Time
306, 306 CR, 306.5, 307.5, 308 CR, 308 SR, 308.5, 309 CR, 310	GW5, 6W6, 6G6, GW6, GW7, GW8, GG8, GX8, GK8, GZ8, GW9, GG9, GWT	567-4592	2.5 Hours

Front Guard, Mesh

Hinged mesh guarding offered for easy access to the windows for cleaning. This guard has been certified to meet ISO 10262 Level 1 requirements.



Model	Serial Number Prefix	Part Number	Estimated Install Time
306, 306 CR, 306.5, 307.5, 308 CR, 308 SR, 308.5, 309 CR, 310	GW5, 6W6, 6G6, GW6, GW7, GW8, GG8, GX8, GK8, GZ8, GW9, GG9, GWT	567-4593	2.5 Hours

Overhead Cab Guard

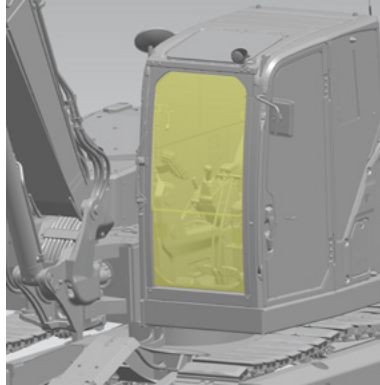
Hinged heavy duty top guarding with gas cylinder offered for easy access to the top window for cleaning. This guard has been certified to meet ISO 10262 Level 2 requirements.



Model	Serial Number Prefix	Part Number	Estimated Install Time
306, 306 CR, 306.5, 307.5, 308 CR, 308 SR, 308.5, 309 CR, 310	GW5, 6W6, 6G6, GW6, GW7, GW8, GG8, GX8, GK8, GZ8, GW9, GG9, GWT	567-4594	2.5 Hours

Polycarbonate Window

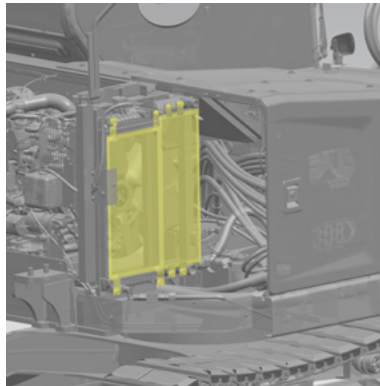
Polycarbonate front window kit that replaces the factory installed tempered glass upper and lower front windows while maintaining full front window functionality. Requires Guarding Arrangement 567-4592 or 567-4593.



Model	Serial Number Prefix	Part Number	Estimated Install Time
306, 306 CR, 306.5, 307.5, 308 CR, 308 SR, 308.5, 309 CR, 310	GW5, 6W6, 6G6, GW6, GW7, GW8, GG8, GX8, GK8, GZ8, GW9, GG9, GWT	571-3698	Recommended Dealer Install
304, 305 CR	AN4, 5G5, 5X5		

Radiator Screen Guard

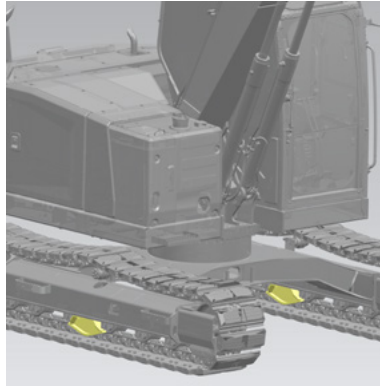
Recommended for high dust or fine debris applications. Provides an additional filter that is placed between the radiator can condenser that provides additional air filtering in dusty/dry conditions.



Model	Serial Number Prefix	Part Number	Estimated Install Time
306, 306 CR, 306.5, 307.5, 308 CR, 308 SR, 308.5, 309 CR, 310	GW5, 6G6, GW6, GW7, GW8, GG8, GX8, GK8, GZ8, GW9, GG9, GWT	567-4596	1.0 Hour

Track Guiding, Center Guard

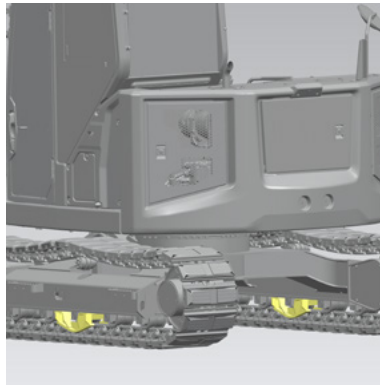
Includes two (2) track guide guards. Recommended for applications on uneven terrain to prevent track slippage. This feature is only offered on the 309 Long Undercarriage and the 310 models due to the length of the tracks. On these models, the distance between the sprocket and the track roller frame idler is much further apart versus the smaller models, which makes the tracks prone to slipping off if exposed to a “V-Shaped” or sloped applications.



Model	Serial Number Prefix	Part Number	Estimated Install Time
309 CR, 310	GW9*, GG9*, GWT	567-4595	2.0 Hours

*Applies only to those models with a long length undercarriage.

Includes two (2) track guide guards. Recommended for applications on uneven terrain to prevent track slippage. This feature is only offered on the 307.5, 308, 308.5, and 309 Standard Undercarriage models due to the length of the track. On these models, the distance between the sprocket and the track roller frame idler is much further apart versus the smaller models, which makes the tracks prone to slipping off if exposed to a “V-Shape” or sloped applications.



Model	Serial Number Prefix	Part Number	Estimated Install Time
307.5, 308 CR, 308 SR, 308.5	GW7, GW8, GG8, GX8, GK8, GZ8, GW9*, GG9*	575-5745	2.0 Hours

*Applies only to those models with a standard length undercarriage.

MAINTENANCE AND IMPROVEMENT

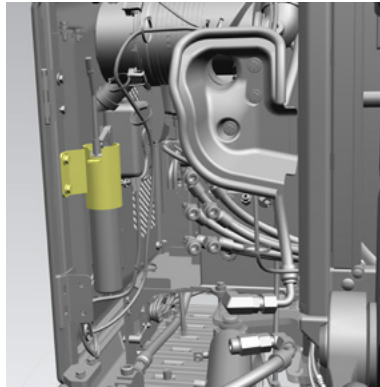
Fuel Tank Drain

Provides tap and hardware to provide a permanent fuel tank drain port replacing the production plug.

Model	Serial Number Prefix	Part Number	Estimated Install Time
306, 306 CR, 306.5, 307.5, 308 CR, 308 SR, 308.5, 309 CR	GW5, 6W6, 6G6, GW6, GW7, GW8, GG8, GX8, GK8, GZ8, GW9, GG9	621-4975	0.5 Hour
304, 305 CR	AN4, 5G5		

Grease Gun Holder

Provides a bracket for a grease gun to be installed behind one of the service doors on the machine.

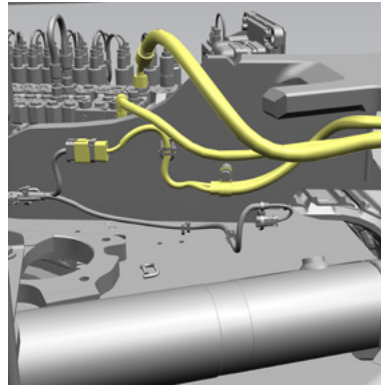
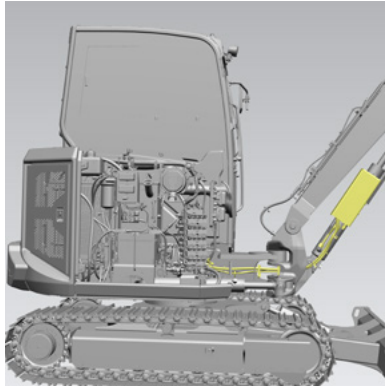


Model	Serial Number Prefix	Part Number	Estimated Install Time
304, 305 CR	AN4, 5G5, 5X5	600-4380	0.5 Hour

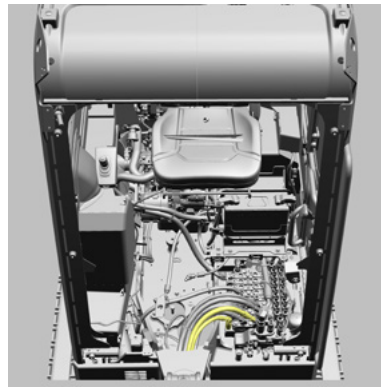
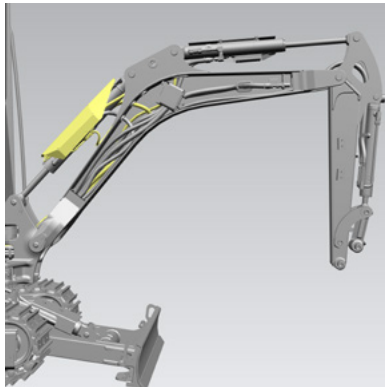
PERFORMANCE AND PRODUCTIVITY

Boom Lowering Control Valve

Check valve and hydraulic lines to add boom lowering check valve to the boom cylinder.



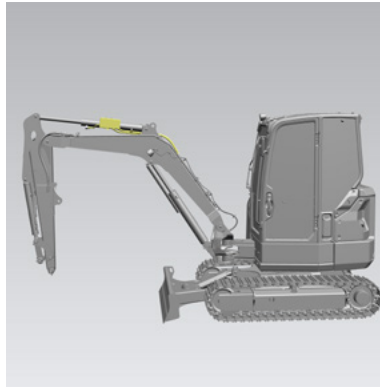
Model	Serial Number Prefix	Part Number	Estimated Install Time
305 CR	5G5, 5X5	607-3546	3.0 Hours
304	AN4	607-3551	
303.5 CR	RE9, CE9, R2E	602-8745	2.5 Hours
303 CR	NXY, MY3	602-8744	
302.7 CR	CZ6, 3C3	602-8743	



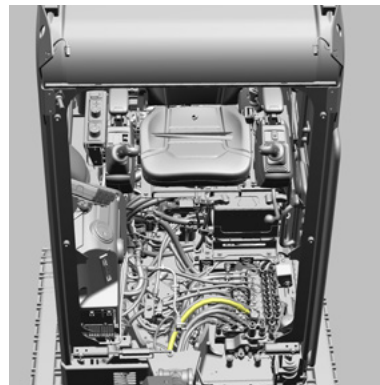
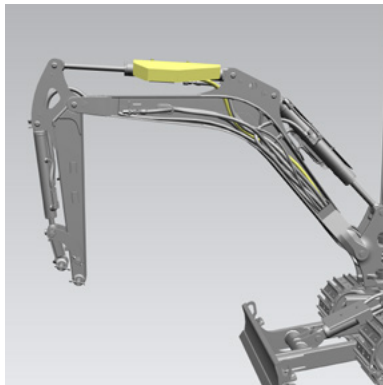
Model	Serial Number Prefix	Part Number	Estimated Install Time
301.8, 302 CR	H8X, RHM	611-4826	2.5 Hours
301.6	MY6	611-4825	
301.5, 301.7 CR	MNH, JH7	611-4824	

Stick Lowering Control Valve

Check valve and hydraulic lines to add stick lowering check valve.



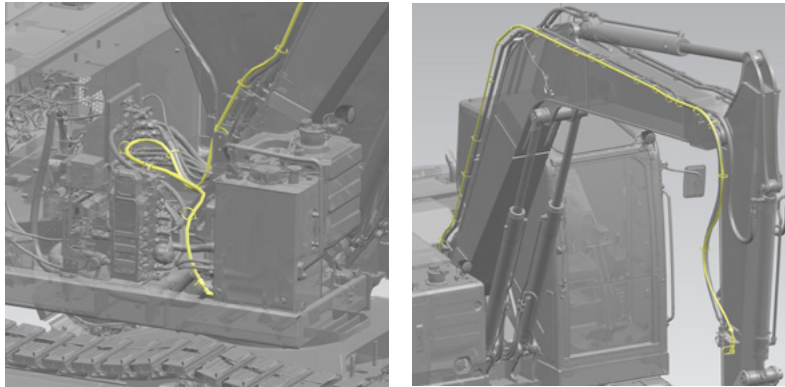
Model	Serial Number Prefix	Part Number	Estimated Install Time
305 CR	5G5, 5X5	607-3548	3.0 Hours
304	AN4	607-3553	
303.5 CR	RE9, CE9, R2E	602-8757	2.5 Hours
303 CR	NXY, MY3	602-8754	
302.7 CR	CZ6, 3C3	602-8752	



Model	Serial Number Prefix	Part Number	Estimated Install Time
301.8, 302 CR	H8X, RHM	611-4829	2.5 Hours
301.6	MY6	611-4828	
301.5, 301.7 CR	MNH, JH7	611-4827	

Case Drain

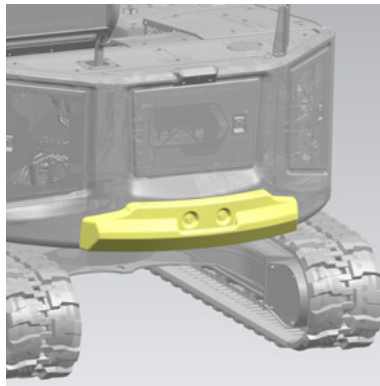
Provides fittings and necessary hardware, along with instructions to prepare hose lengths to add a case drain to the machine.



Model	Serial Number Prefix	Part Number	Estimated Install Time
306, 306 CR, 306.5	GW5, 6W6, 6G6, GW6	609-6156	Recommended Dealer Install
307.5, 308.5, 309 CR, 310	GW7, GW8, GG8, GZ8, GW9, GG9, GWT	609-6155	

Extra Counterweight

Extra Counterweight adds more stability and 152 mm (6 inches) more overhang. Kit includes – Extra Counterweight 250 kg (550 lbs) and Hardware.



Model	Serial Number Prefix	Part Number	Estimated Install Time
306 CR, 308 CR, 308 SR, 308.5, 309 CR, 310	6G6, 6WG, GW8, GG8, GX8, GK8, GZ8, GW9, GG9, GWT	561-8205	1.0 Hour

Extra Counterweight (*continued*)

Extra Counterweight adds more stability and 76 mm (3 inches) more overhang. Kit includes extra counterweight (240 kg/530 lbs) and hardware.



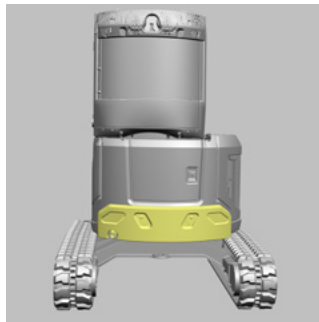
Model	Serial Number Prefix	Part Number	Estimated Install Time
305 CR	5G5, 5X5	606-8576	1.0 Hour

Extra Counterweight adds more stability and 76 mm (3 inches) more overhang. Kit includes extra counterweight (225 kg/500 lbs) and hardware.



Model	Serial Number Prefix	Part Number	Estimated Install Time
304	AN4	606-8577	1.0 Hour

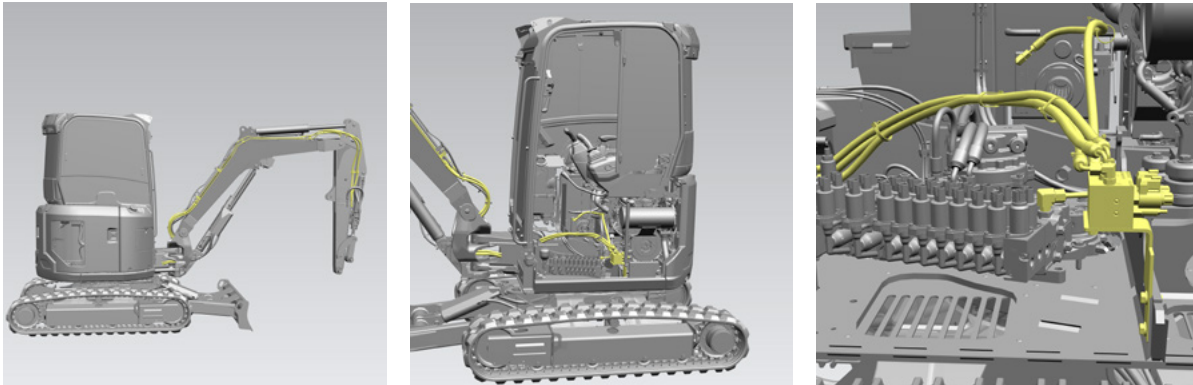
Extra counterweight adds more stability and 152 mm (6 inches) more overhang. Kit includes counterweight, muffler extension and hardware.



Model	Serial Number Prefix	Part Number	Estimated Install Time
302.7 CR, 303 CR, 303.5 CR	CZ6, 3C3, NXY, MY3, RE9, CE9, R2E	610-1632	1.25 Hours

Coupler Control Kit – Long Stick, Cat® Coupler

Kit includes valves, tubes, hoses, and other necessary hardware needed to complete installation of a hydraulic quick coupler for long stick machines. Only for use with the Cat® Coupler. Coupler not included.

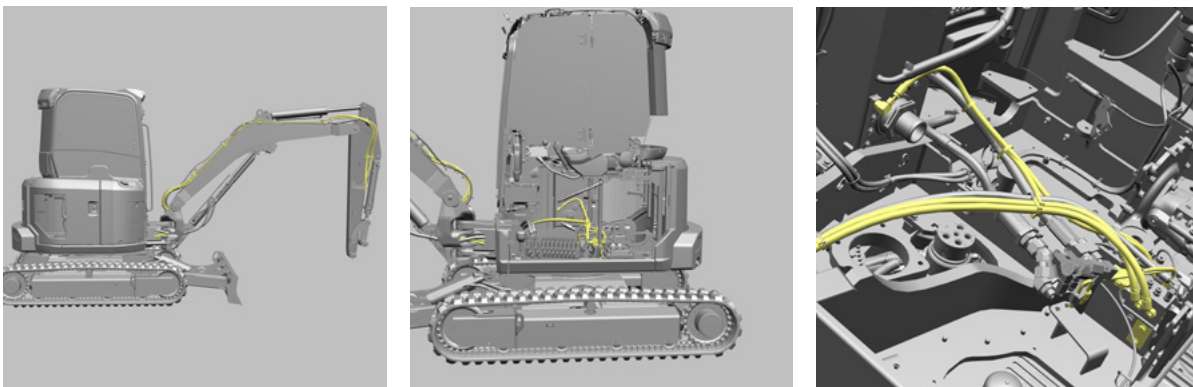


Model	Serial Number Prefix	Part Number	Estimated Install Time
303 CR	NXY, MY3	602-8737*	Recommended Dealer Install
303.5 CR	RE9, CE9, R2E	602-8739*	

*Requires configuration through monitor unless using a hydraulic locking control system (LCS). If machine is equipped with LCS, Cat Electronic Technician (ET) must be used to complete installation of this kit. Only for use with the Cat Coupler.

Coupler Control Kit – Long Stick, CW Coupler

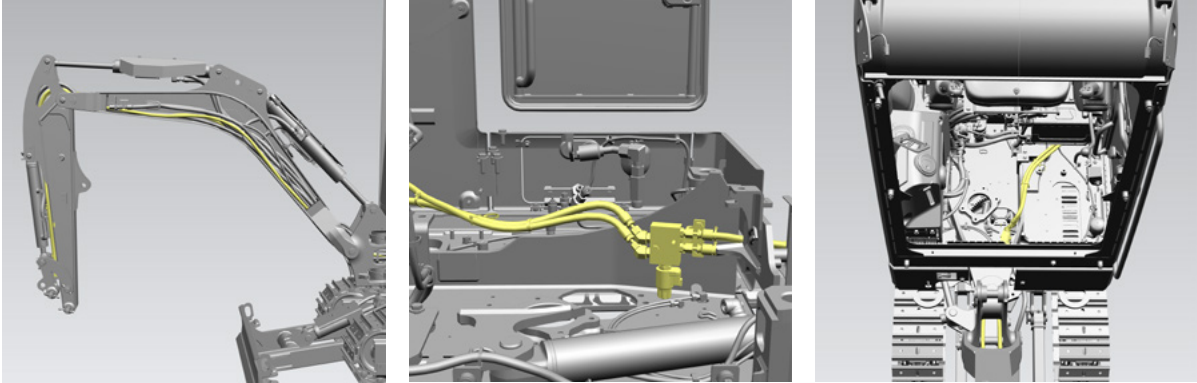
Kit includes valves, tubes, hoses, and other necessary hardware needed to complete installation of a hydraulic quick coupler for long stick machines. Only for use with the Cat® CW Coupler. Coupler not included.



Model	Serial Number Prefix	Part Number	Estimated Install Time
303.5 CR	RE9, CE9, R2E	602-8733*	Recommended Dealer Install
303 CR	NXY, MY3	602-8732*	
302.7 CR	CZ6, 3C3	602-8730*	

*Requires configuration through monitor unless using a hydraulic locking control system (LCS). If machine is equipped with LCS, Cat Electronic Technician (ET) must be used to complete installation of this kit. Only for use with the Cat CW Coupler.

Coupler Control Kit – Long Stick, CW Coupler *(continued)*



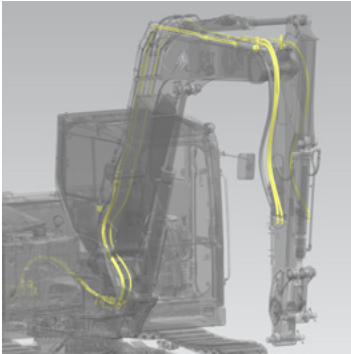
Model	Serial Number Prefix	Part Number	Estimated Install Time
302 CR	RHM	611-4838*	Recommended Dealer Install
301.8	H8X	611-4837*	
301.7 CR	JH7	611-4836*	
301.6	MY6	611-4835*	
301.5	MNH	611-4834*	

*Requires configuration through monitor unless using a hydraulic locking control system (LCS). If machine is equipped with LCS, Cat Electronic Technician (ET) must be used to complete installation of this kit. Only for use with the Cat CW Coupler.

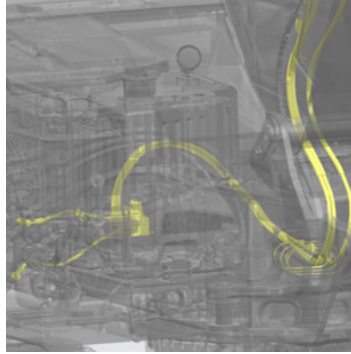
Hydraulic Coupler Lines Kit – Long Stick

Includes all required components to prepare for the installation of a hydraulic quick coupler for long stick equipped machines.

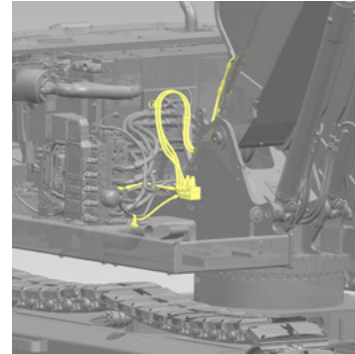
561-8201/561-8203



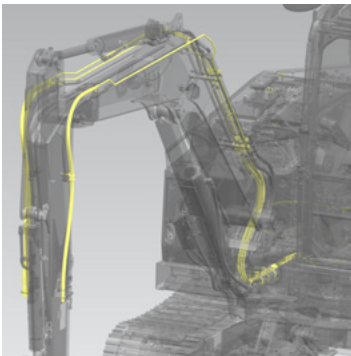
561-8201



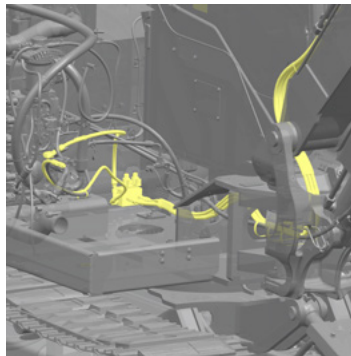
561-8203



581-3796



581-3796



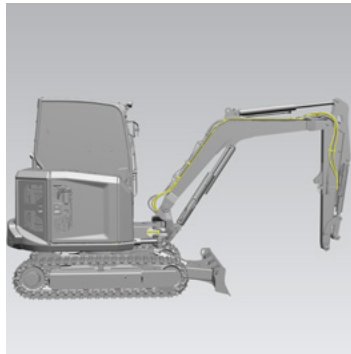
Model	Serial Number Prefix	Part Number	Estimated Install Time
308 CR, 309 CR	GW8, GG8, GW9, GG9	561-8201	Recommended Dealer Install
310	GWT	561-8203	
306 CR	6G6, 6W6	581-3796	

Quick coupler lines for the dual lock hydraulic couplers on a long stick unit.

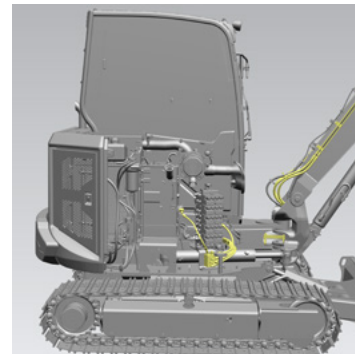
603-3623



603-3625



603-3625



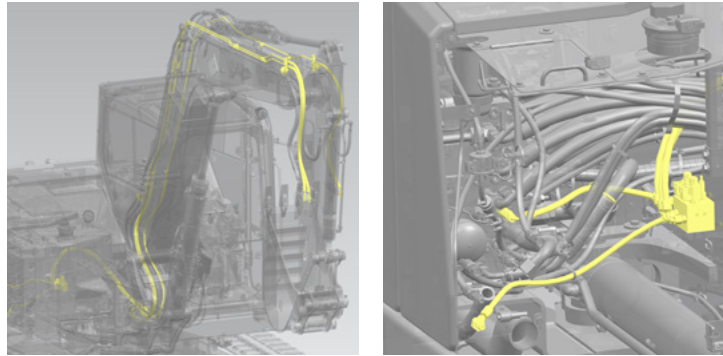
Model	Serial Number Prefix	Part Number	Estimated Install Time
305 CR	5G5, 5X5	606-3623*	Recommended Dealer Install
304	AN4	606-3625*	

*Requires configuration through monitor unless using a hydraulic locking control system (LCS). If machine is equipped with LCS, Cat Electronic Technician (ET) must be used to complete installation of this kit.

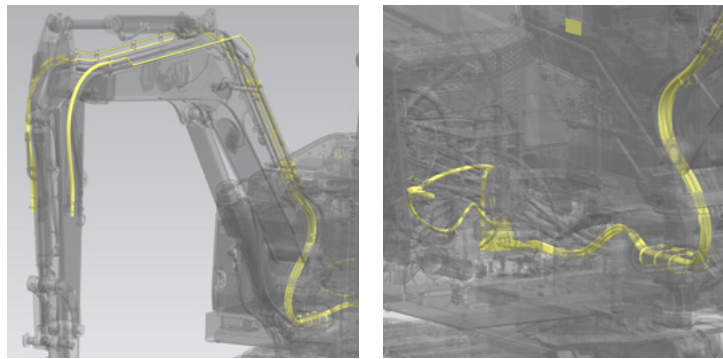
Hydraulic Coupler Lines Kit – Standard Stick

Includes all required components to prepare for the installation of a hydraulic quick coupler for standard stick equipped machines.

561-8200



581-3795



Model	Serial Number Prefix	Part Number	Estimated Install Time
308 CR, 309 CR	GW8, GG8, GW9, GG9	561-8200	Recommended Dealer Install
306 CR	6G6, 6W6	581-3795	

Quick coupler lines for the dual lock hydraulic couplers on a standard stick unit.

603-3622

603-3624

603-3624

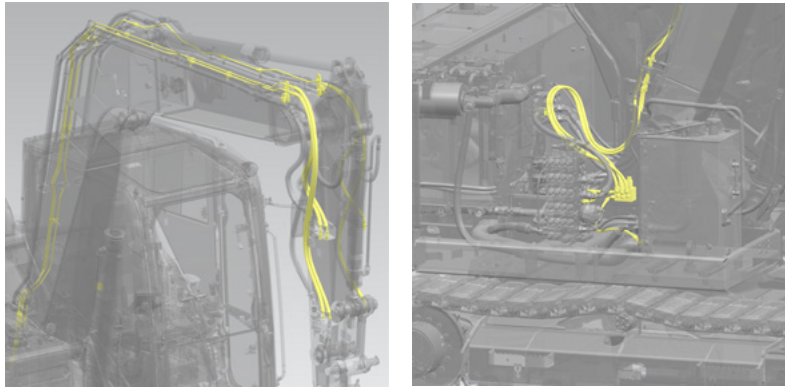


Model	Serial Number Prefix	Part Number	Estimated Install Time
305 CR	5G5, 5X5	606-3622*	Recommended Dealer Install
304	AN4	606-3624*	

* Requires configuration through monitor unless using a hydraulic locking control system (LCS).

Hydraulic Coupler Lines Kit – Standard and Long Stick

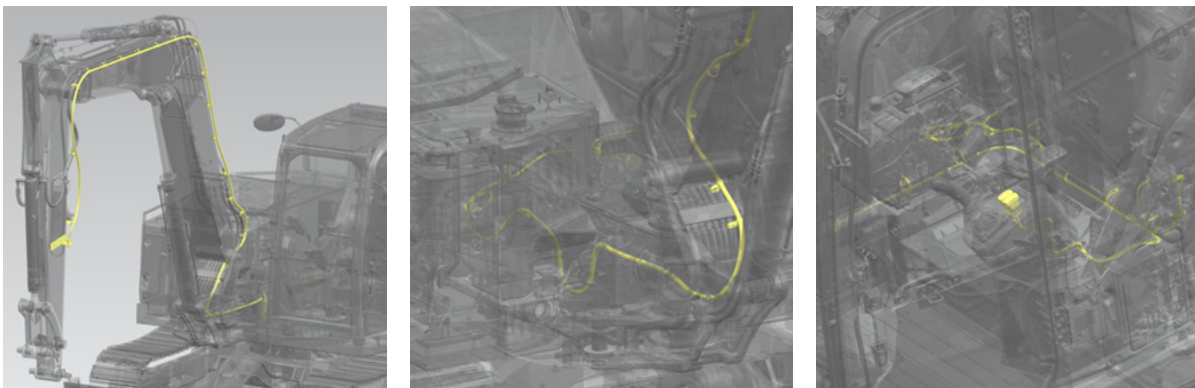
Includes all required components to prepare for the installation of a hydraulic quick coupler for standard stick equipped machines.



Model	Serial Number Prefix	Part Number	Estimated Install Time
307.5	GW7	561-8202	Recommended Dealer Install

Mulching Toolkit

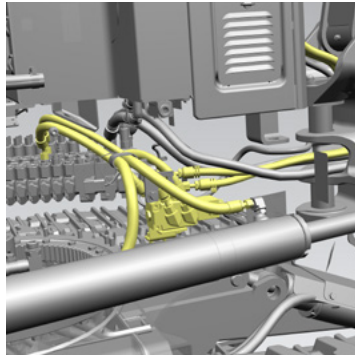
Electrical harness to support Cat® HM208 and HM210 Mulchers usage. The harness and console switches in the kit provide control to the fore and aft doors on the work tool.



Model	Serial Number Prefix	Part Number	Estimated Install Time
307.5, 308 CR, 308.5, 309 CR, 310	GW7, GW8, GG8, GX8, GZ8, GW9, GG9, GWT	557-5072	Recommended Dealer Install

Second Auxiliary Control

Control valve and lines to add second auxiliary to machine.



Model	Serial Number Prefix	Part Number	Estimated Install Time
303.5 CR	RE9, CE9, R2E	602-8728*	Recommended Dealer Install
303 CR	NXY, MY3	602-8726*	
302.7 CR	CZ6, 3C3	602-8725*	
302 CR	RHM	603-9526*	
301.8	H8X	603-9525*	
301.7 CR	JH7	603-9524*	
301.6	MY6	603-9523*	
301.5	MNH	603-9522*	

*Requires Cat Electronic Technician (ET) to complete installation of this kit.

Second Auxiliary Hydraulic Lines Kit – Long Stick

Second Auxiliary Hydraulic Lines for long stick equipped machines. Supply, return, and case drain lines are included in this kit. Second Auxiliary circuit is primarily used for rotational attachments such as a shear. Second Auxiliary is not to be confused with the 1-way and 2-way flow auxiliaries, which already come standard on the machine and will run most attachments.

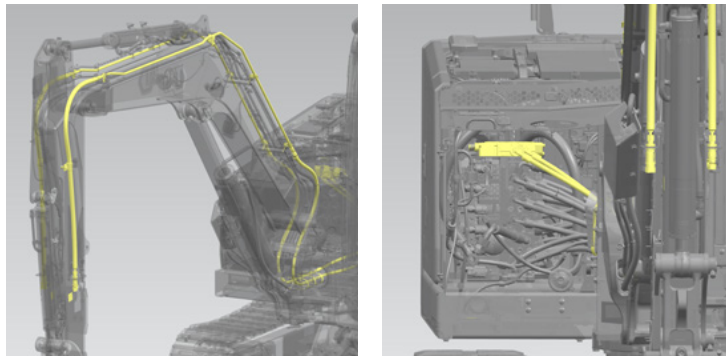
561-8197



561-8199



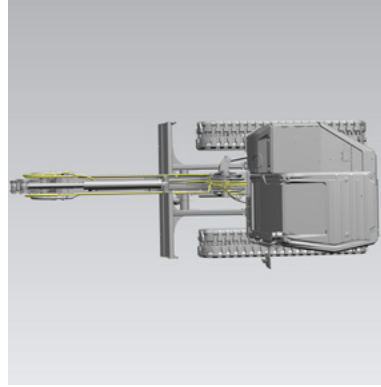
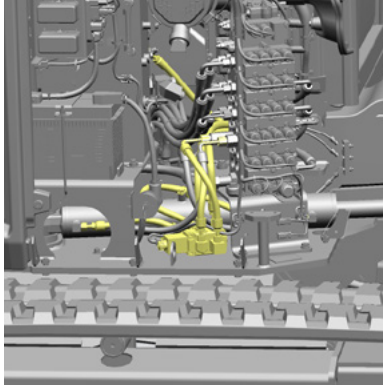
581-3794



Model	Serial Number Prefix	Part Number	Estimated Install Time
308 CR, 309 CR	GW8, GW9, GG9	561-8197*	Recommended Dealer Install
310	GWT	561-8199*	
306 CR	6G6, 6W6	581-3794*	

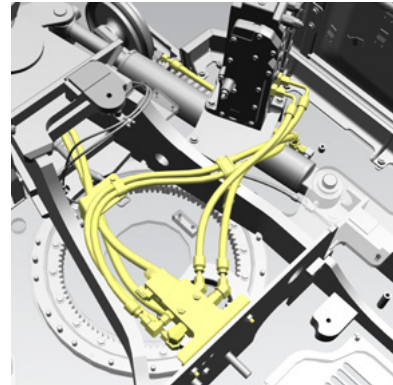
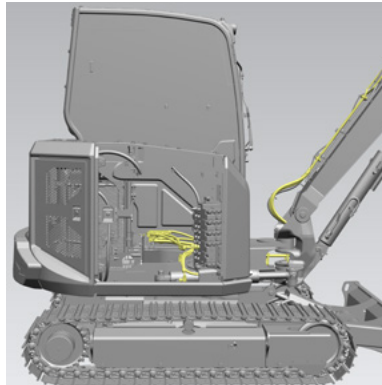
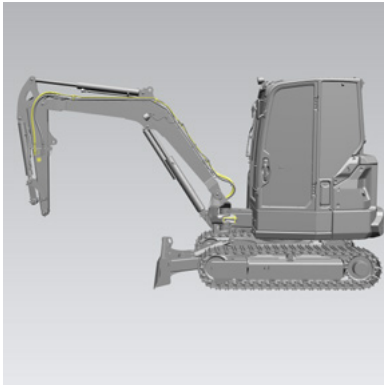
*This kit has software enabled features that must be activated by a Cat dealer.

Second Auxiliary Hydraulic Lines Kit – Long Stick *(continued)*



Model	Serial Number Prefix	Part Number	Estimated Install Time
305 CR	5G5, 5X5	606-3592*	Recommended Dealer Install

*Requires Cat Electronic Technician (ET) to complete installation of this kit.



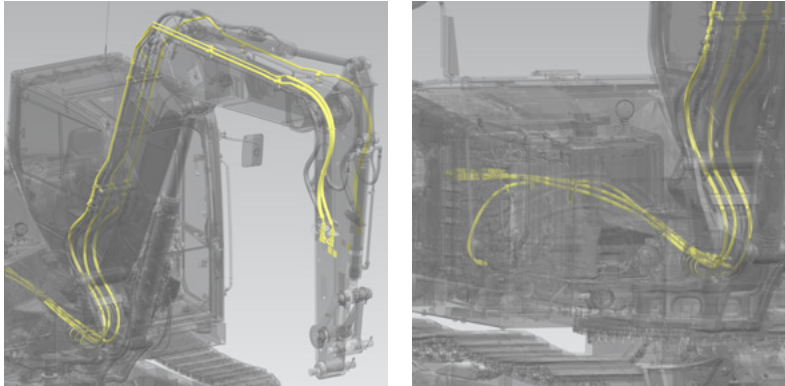
Model	Serial Number Prefix	Part Number	Estimated Install Time
304	AN4	606-3596*	Recommended Dealer Install

*Requires Cat Electronic Technician (ET) to complete installation of this kit.

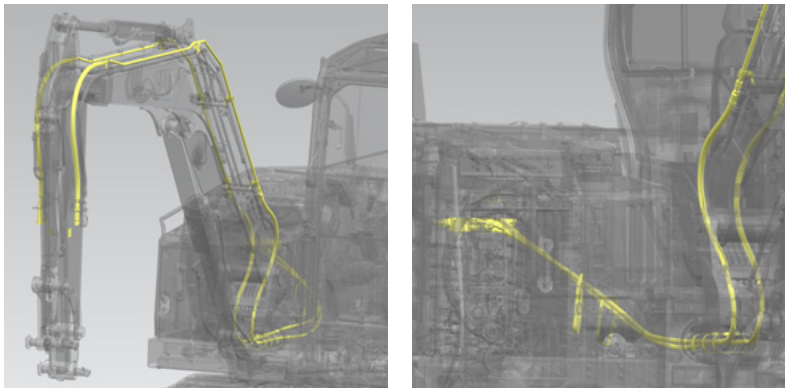
Second Auxiliary Hydraulic Lines Kit – Standard Stick

Second Auxiliary Hydraulic Lines for standard stick equipped machines. Supply, return, and case drain lines are included in this kit. Second Auxiliary circuit is primarily used for rotational attachments such as a shear. Second Auxiliary is not to be confused with the 1-way and 2-way flow auxiliaries, which already come standard on the machine and will run most attachments.

561-8196



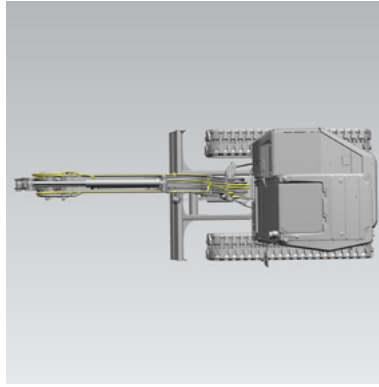
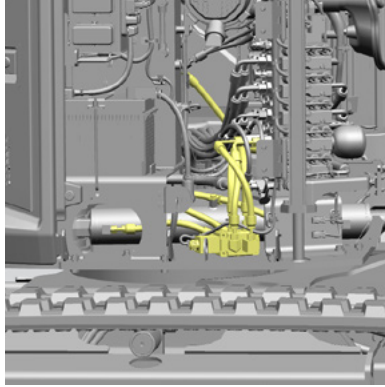
581-3793



Model	Serial Number Prefix	Part Number	Estimated Install Time
308 CR, 309 CR	GW8, GG8, GW9, GG9	561-8196*	Recommended Dealer Install
306 CR	6G6, 6W6	581-3793*	

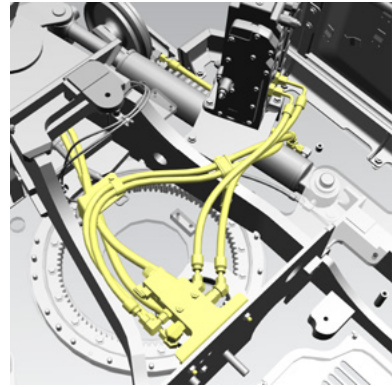
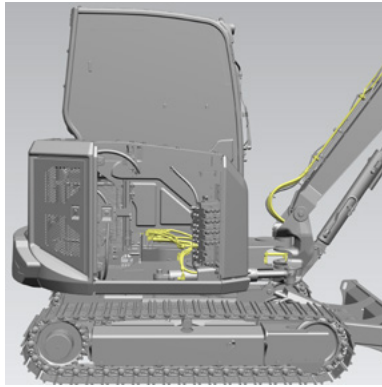
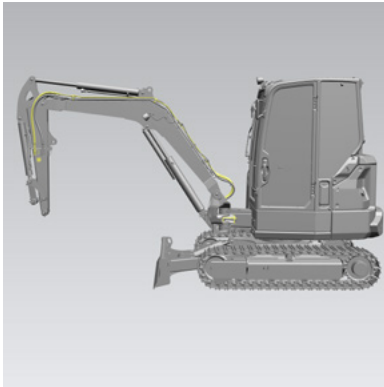
*This kit has software enabled features that must be activated by a Cat dealer.

Second Auxiliary Hydraulic Lines Kit – Standard Stick *(continued)*



Model	Serial Number Prefix	Part Number	Estimated Install Time
305 CR	5G5, 5X5	606-3589*	Recommended Dealer Install

*Requires Cat Electronic Technician (ET) to complete installation of this kit.

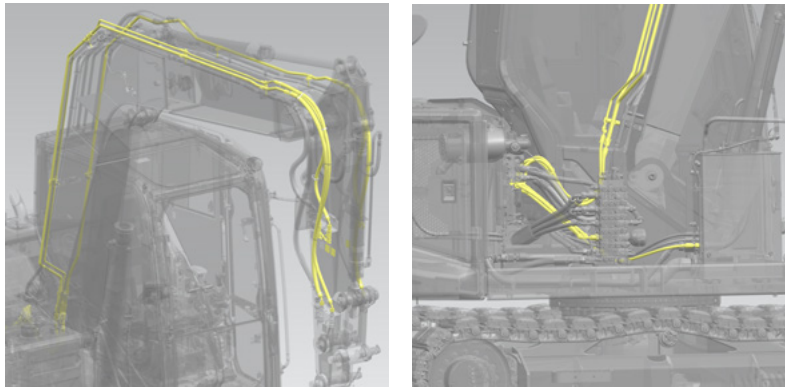


Model	Serial Number Prefix	Part Number	Estimated Install Time
304	AN4	606-3595*	Recommended Dealer Install

*Requires Cat Electronic Technician (ET) to complete installation of this kit.

Second Auxiliary Hydraulic Lines Kit – Standard and Long Stick

Second Auxiliary Hydraulic Lines for standard stick equipped machines. Supply, return, and case drain lines are included in this kit. Second Auxiliary circuit is primarily used for rotational attachments such as a shear. Second Auxiliary is not to be confused with the 1-way and 2-way flow auxiliaries, which already come standard on the machine and will run most attachments.



Model	Serial Number Prefix	Part Number	Estimated Install Time
307.5	GW7	561-8198*	Recommended Dealer Install

*This kit has software enabled features that must be activated by a Cat dealer.

Third Auxiliary Function

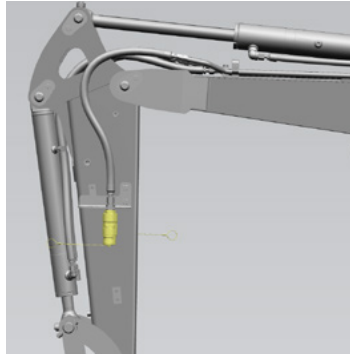
Diverter valve and parts required to provide a third auxiliary function by diverting the bucket cylinder.



Model	Serial Number Prefix	Part Number	Estimated Install Time
303.5 CR	RE9, CE9, R2E	602-8751	2.5 Hours
303 CR	NXY, MY3	602-8749	
302.7 CR	CZ6, 3C3	602-8748	

Screw to Connect Quick Disconnects

Kit includes a male and female screw to connect set, along with protective caps, replacing the standard quick disconnects. These screw to connect disconnects are the “locking style” that prevents the screw from backing off. Two sets are required for machine and attachment connection or one set for the machine side only. Adapters may be required to complete installation.

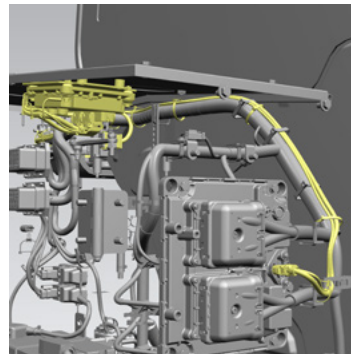


Model	Serial Number Prefix	Part Number	Estimated Install Time
306, 306 CR, 306.5, 307, 308.5, 308 CR, 309 CR, 310	GW5, 6G6, 6W6, GW6, GW7, GZ8, GW8, GG8, GW9, GG9, GWT	611-6997	1.0 Hour
302.7 CR, 303 CR, 303.5 CR, 304, 305 CR	CZ6*, 3C3*, NXY*, MY3*, RE9*, CE9*, R2E*, AN4, 5G5, 5X5		
301.5, 301.6, 301.7 CR, 301.8, 302 CR, 302.7 CR, 303 CR, 303.5 CR	MNH, MY6, JH7, H8X, RHM, CZ6*, 3C3*, NXY*, MY3*, RE9*, CE9*, R2E*	611-6995	

*Some attachments may require both part numbers.

Product Link™, PLE643

Product Link Elite series PLE643 upgrade kit, uses cellular networks to transmit location, utilization, health and productivity information for viewing in Product Link user applications. Provides support for remote services, Cat® Production Measurement (CPM) and basic grade control (may be dependent on corresponding machine features). Cellular technology enables more frequent transmission and larger volumes of data.



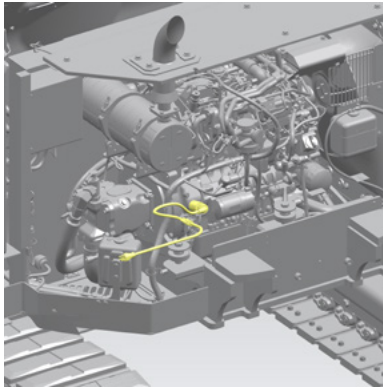
Model	Serial Number Prefix	Part Number	Estimated Install Time
304, 305 CR	AN4, 5G5, 5X5	607-1360*	Recommended Dealer Install

*Requires Cat Electronic Technician (ET) to complete installation of this kit, only if machine is not equipped with a camera-ready display.

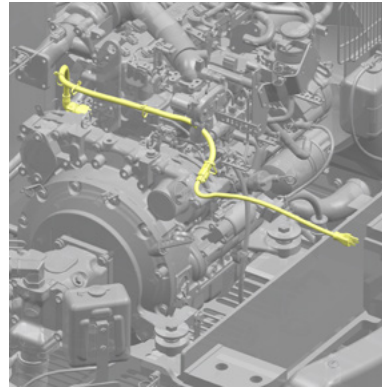
Water Jacket Heater – 120V

Jacket water heater, also known as, engine block heater for increased cold-starting capability. Recommended for applications in temperatures less than -6°C (20°F).

566-6978



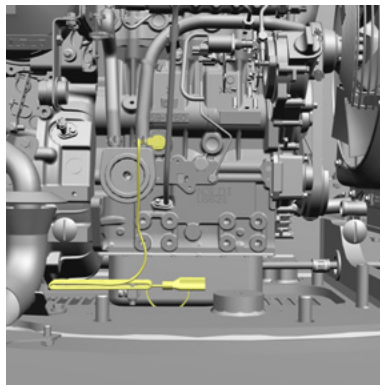
566-6979



Model	Serial Number Prefix	Part Number	Estimated Install Time
306, 306 CR, 306.5, 307.5	GW5, 6G6, 6W6, GW6, GW7	566-6978	1.0 Hour
308 CR, 308 SR, 308.5, 309 CR, 310	GW8, GG8, GX8, GK8, GZ8, GW9, GG9, GWT	566-6979	
304, 305 CR	AN4, 5G5, 5X5	606-9427	

Water Jacket Heater – 240V

Jacket water heater, also known as, engine block heater for increased cold-starting capability. Recommended for applications in temperatures less than -6°C (20°F).

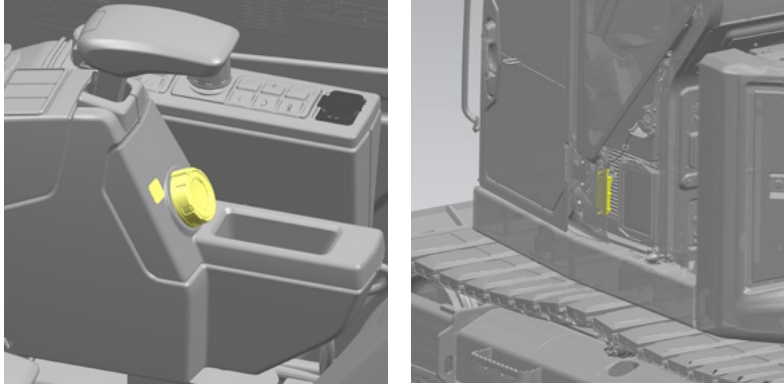


Model	Serial Number Prefix	Part Number	Estimated Install Time
304, 305 CR	AN4, 5G5, 5X5	606-9428	1.0 Hour

SECURITY

Push to Start Security

Parts required to convert a key start system to a push to start system.



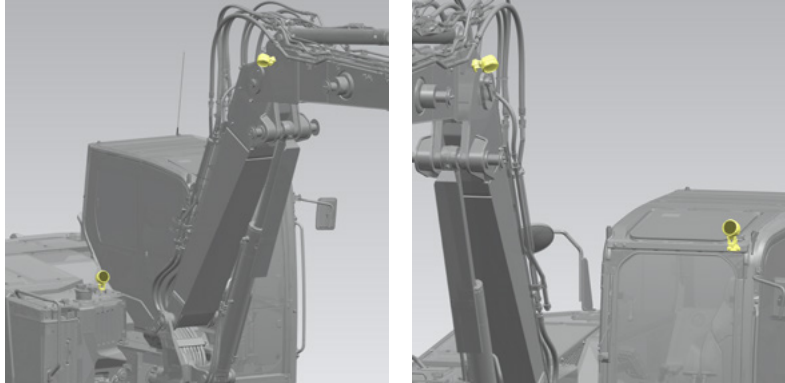
Model	Serial Number Prefix	Part Number	Estimated Install Time
301.5, 301.6, 301.7 CR, 301.8, 302 CR, 302.7 CR, 303 CR, 303.5 CR, 304, 305 CR, 305.5 CR	MNH, JH7, MY6, H8X, RHM, CZ6, 3C3, NXY, MY3, RE9, CE9, R2E, AN4, 5G5, 5X5, AX6	561-8108*	Recommended Dealer Install
306, 306 CR, 306.5, 307.5, 308 CR, 308 SR, 308.5, 309 CR, 310	GW5, 6G6, 6W6, GW6, GW7, GW8, GG8, GX8, GK8, GZ8, GW9, GG9, GWT		

*This kit has software enabled features that must be activated by a Cat dealer. The part number provided is for reference only. Individual parts must be ordered from the parts network.

SAFETY AND VISIBILITY

LED Lights

Four (4) forward facing LED adjustable work lights (cab, frame, and boom mounted). LED lighting advantages versus halogens: brighter work site illumination, cooler, more resistant to vibration and longer life.



Model	Serial Number Prefix	Part Number	Estimated Install Time
307.5, 308 CR, 308.5, 309 CR, 310	GW7, GW8, GG8, GX8, GZ8, GW9, GG9, GWT	561-8098	1.0 Hour

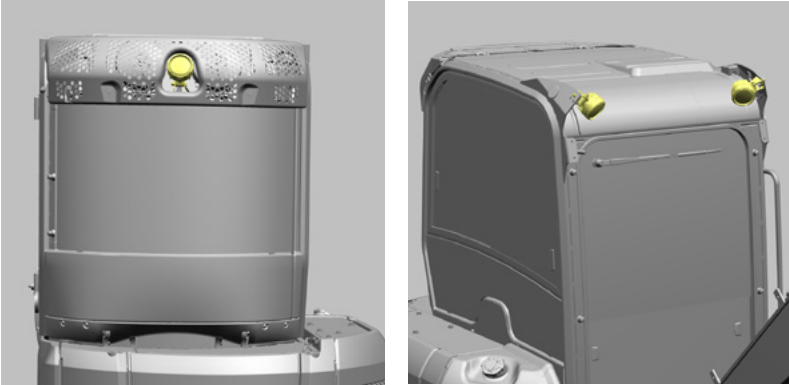
Includes all required components to change Halogen installed lights to LED lights on the boom and on the front of cab machines.



Model	Serial Number Prefix	Part Number	Estimated Install Time
306, 306 CR, 306.5	GW5, 6G6, 6W6, GW6	581-3808	1.0 Hour

LED Lights – Front and Rear

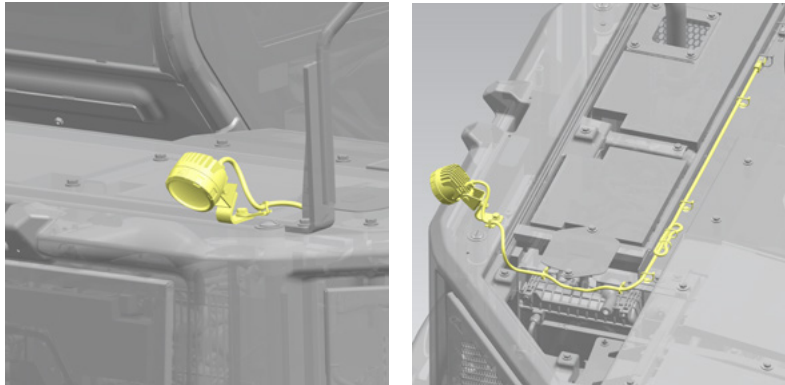
Kit includes two (2) front and one (1) rear LED flood lights for brighter work site illumination, cooler, more resistant to vibration and longer life.



Model	Serial Number Prefix	Part Number	Estimated Install Time
301.5, 301.6, 301.7 CR, 301.8, 302 CR, 302.7 CR, 303 CR, 303.5 CR	MNH, JH7, MY6, H8X, RHM, CZ6, 3C3, NXY, MY3, RE9, CE9, R2E	609-9304	1.5 Hours

Rear Lights

One (1) rear facing LED adjustable work light (frame mounted). Includes the harness and all necessary hardware. Highly recommended when equipped with a rear-view camera.



Model	Serial Number Prefix	Part Number	Estimated Install Time
306, 306 CR, 306.5, 307.5, 308 CR, 308 SR, 308.5, 309 CR, 310	GW5, 6G6, 6W6, GW6, GW7, GW8, GG8, GX8, GK8, GZ8, GW9, GG9, GWT	561-8104	1.0 Hour

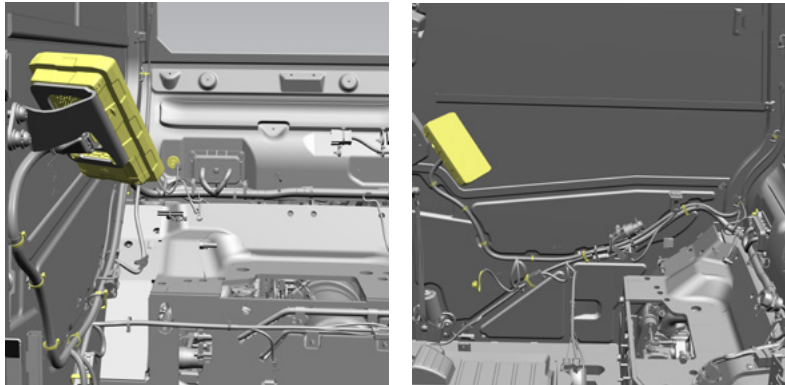
One (1) rear facing LED adjustable work light (frame mounted). Includes the harness and all necessary hardware. Highly recommended when equipped with a rear-view camera.



Model	Serial Number Prefix	Part Number	Estimated Install Time
304, 305 CR	AN4, 5G5, 5X5	609-1121	0.5 Hour

Advanced Display

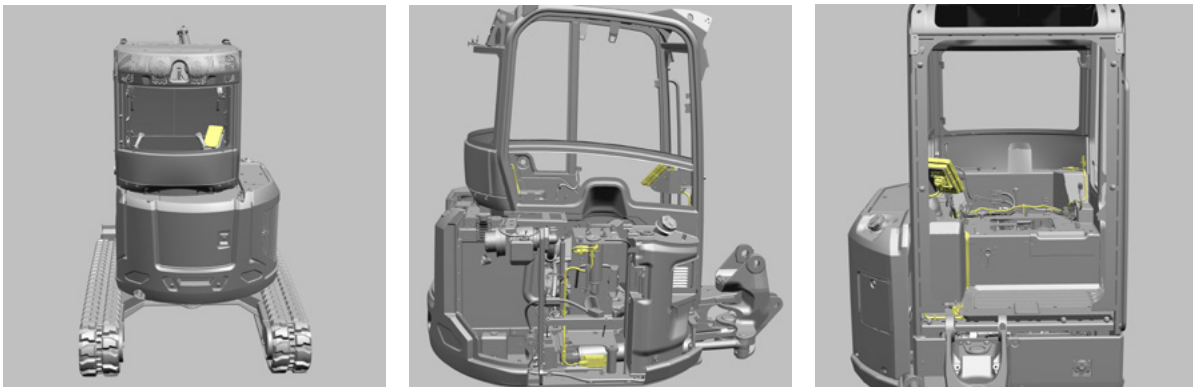
Advanced 203 mm (8-inch) touch screen monitor includes site reference, HD screen for camera usage. Includes C8 display and IMU for site reference. For cab only machines, not available on canopy machines.



Model	Serial Number Prefix	Part Number	Estimated Install Time
306, 306 CR, 306.5, 307.5, 308 CR, 308 SR, 308.5, 309 CR, 310	GW5, 6G6, 6W6, GW6, GW7, GW8, GG8, GX8, GK8, GZ8, GW9, GG9, GWT	607-1348*	Recommended Dealer Install
304, 305 CR	AN4, 5G5, 5X5		

*Requires Cat Electronic Technician (ET) to complete installation of this kit. This is not a complete kit. See your Cat dealer and reference Special Instructions document M0135389 for the machine specific harness needed to complete installation.

Advanced 203 mm (8-inch) touch screen monitor includes site reference, HD camera image. Includes all required hardware.



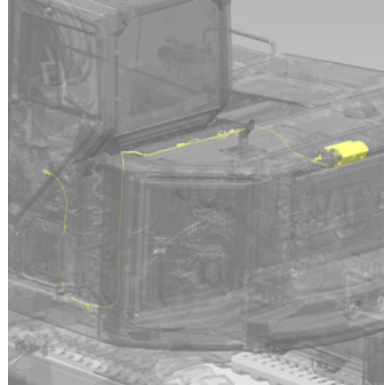
Model	Serial Number Prefix	Part Number	Estimated Install Time
302.7 CR, 303 CR, 303.5 CR	CZ6, 3C3, NXY, MY3, RE9, CE9, R2E	608-2913*	Recommended Dealer Install

*Requires Cat Electronic Technician (ET) to complete installation of this kit.

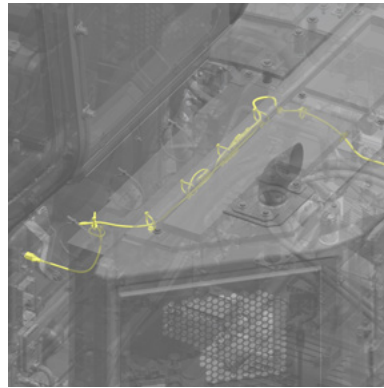
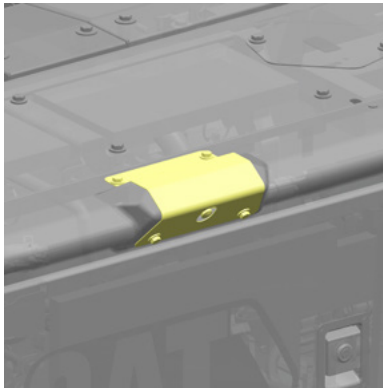
Rear View Camera

Rear view camera including the required harness, mounting plate, and all hardware.

561-8101



581-3800

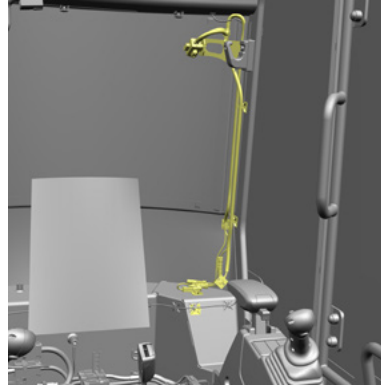
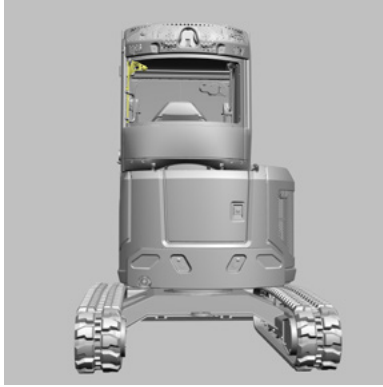


Model	Serial Number Prefix	Part Number	Estimated Install Time
307.5, 308 CR, 308 SR, 308.5, 309 CR, 310	GW7, GW8, GG8, GX8, GK8, GZ8, GW9, GG9, GWT	561-8101*	2.0 Hours
306, 306 CR, 306.5	GW5, 6G6, 6W6, GW6	581-3800*	

*Requires a camera-ready display to be installed.

Rear View Camera *(continued)*

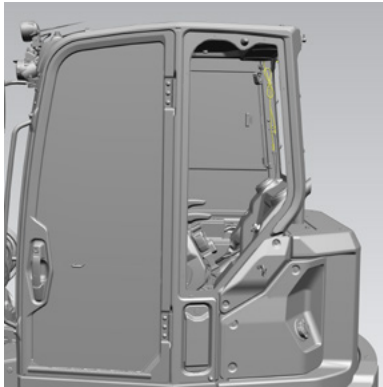
Rear view camera including harness, mounting plate, and hardware.



Model	Serial Number Prefix	Part Number	Estimated Install Time
302.7 CR, 303 CR, 303.5 CR	CZ6, 3C3, NXY, MY3, RE9, CE9, R2E	602-8722*	Recommended Dealer Install

*Requires Cat Electronic Technician (ET) to complete installation of this kit.

Rear view camera including the required harness, mounting plate, and hardware for a cab machine.

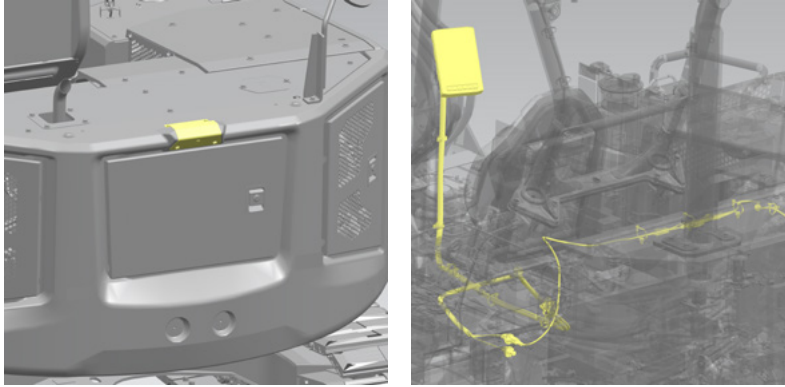


Model	Serial Number Prefix	Part Number	Estimated Install Time
304, 305 CR	AN4, 5G5, 5X5	607-0310*	Recommended Dealer Install

*Requires Cat Electronic Technician (ET) to complete installation of this kit.

Rear View Camera, Canopy

Rear view camera including Camera Ready Monitor, with required harness, mounting plate, and all necessary hardware.

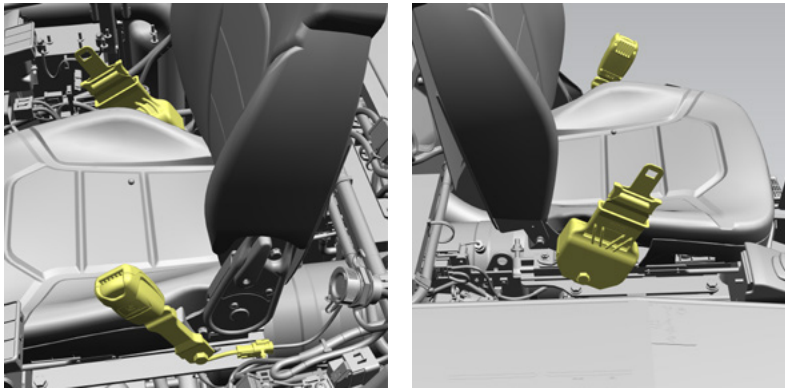


Model	Serial Number Prefix	Part Number	Estimated Install Time
306 CR	6G6, 6W6	557-5114*	Recommended Dealer Install

*This kit has software enabled features that must be activated by a Cat dealer and requires the monitor display to be installed.

Seatbelt Reminder Alarm

Kit to add a seatbelt indicate receptacle for a 76.2 mm (3 inch) retractable.

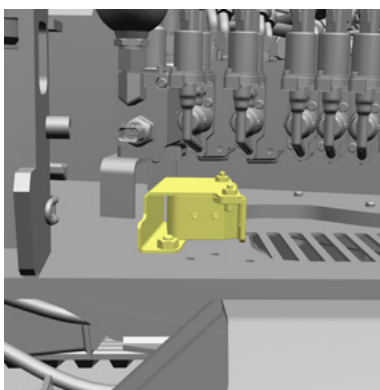


Model	Serial Number Prefix	Part Number	Estimated Install Time
301.5, 301.6, 301.7 CR, 301.8, 302 CR, 302.7 CR, 303 CR, 303.5 CR, 304, 305 CR, 305.5 CR	MNH, JH7, MY6, H8X, RHM, CZ6, 3C3, NXY, MY3, RE9, CE9, R2E, AN4, 5G5, 5X5, AX6	614-7518*	Recommended Dealer Install
306, 306 CR, 306.5, 307.5, 308 CR, 308 SR, 308.5, 309 CR, 310	GW5, 6G6, 6W6, GW6, GW7, GW8, GG8, GX8, GK8, GZ8, GW9, GG9, GWT		

*This kit has software enabled features that must be activated by a Cat dealer.

Travel Alarm

Provides all necessary components needed to add a machine travel alarm.



Model	Serial Number Prefix	Part Number	Estimated Install Time
302.7 CR, 303 CR, 303.5 CR	CZ6, 3C3, NXY, MY3, RE9, CE9, R2E	610-1631*	Recommended Dealer Install
301.5, 301.6, 301.7 CR, 301.8, 302 CR	MNH, JH7, MY6, H8X, RHM	611-4839*	

*Requires Cat Electronic Technician (ET) to complete installation of this kit.

Notes

Notes

AEXQ3124-03
Replaces AEXQ3124-02
January 2022
(Global)

© 2022 Caterpillar. All Rights Reserved. CAT, CATERPILLAR, LET'S DO THE WORK, their respective logos, "Caterpillar Corporate Yellow," the "Power Edge" and Cat "Modern Hex" trade dress as well as corporate and product identity used herein, are trademarks of Caterpillar and may not be used without permission.

